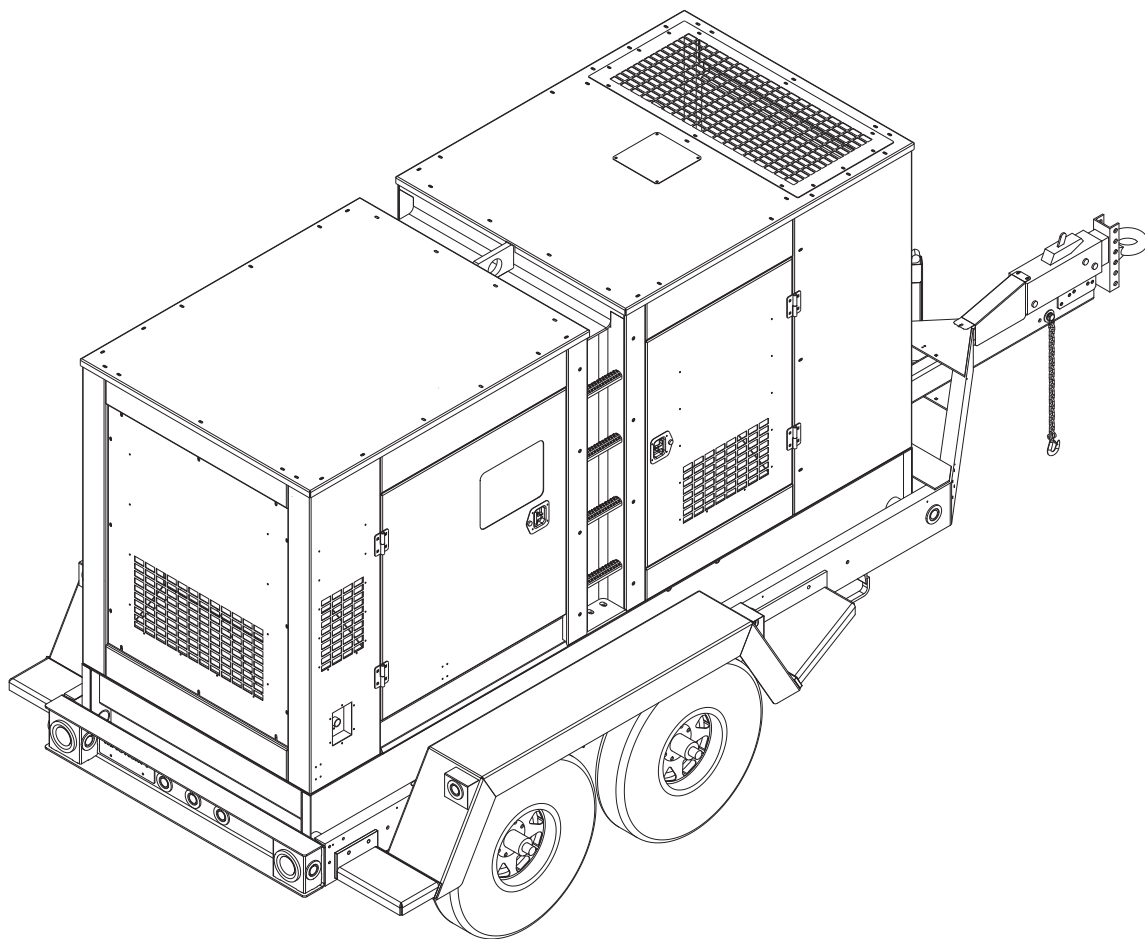


GENERAC[®] | **MOBILE
PRODUCTS**

**DIESEL GENERATOR
MMG120 • MMG120CAN
MMG120CAN6 (V-FLEX)**



PARTS MANUAL

INTRODUCTION

Before servicing this machine, make sure the engine start switch is turned to “OFF/O”, the circuit breakers are open (“OFF/O”), the emergency stop switch is closed (pushed in), and the negative (-) terminal on the battery is disconnected. Attach a “DO NOT START” sign to the control panel. This will notify everyone that the unit is being serviced and will reduce the chance of someone inadvertently trying to start the unit. If the unit is connected to a remote start or transfer switch, make sure the remote switch is also off and tagged.

▲ WARNING

Before operating or servicing this equipment, read and understand the Generac Operating Manual which was included with the unit when shipped from the factory. Failure to do so increases the risk of injury to yourself or others.

**Generac Mobile Products LLC
215 Power Drive • Berlin, WI 54923
U.S.A.
Phone: 920-361-4442
FAX: 920-361-4416
Toll Free: 1-800-926-9768
www.generacmobile.com**

For technical or parts QUESTIONS, please contact Generac Mobile Products Customer Support or Technical Support team at 1-800-926-9768. Please have your serial number available.

To ORDER SERVICE PARTS, please contact the dealer from which you purchased the unit, or call Generac Mobile Products to locate a dealer in your area.

Engine Make: _____
Engine Serial Number: _____
Engine Model Number: _____
Generator Make: _____
Generator Model Number: _____
Generator Serial Number: _____
Unit Model Number: _____
Unit Serial Number: _____

▲ WARNING

CALIFORNIA PROPOSITION 65 WARNING: Diesel engine exhaust and some of its constituents are known to the state of California to cause cancer, birth defects and other reproductive harm.

▲ WARNING

CALIFORNIA PROPOSITION 65 WARNING: This product contains or emits chemicals known to the state of California to cause cancer, birth defects, and other reproductive harm.

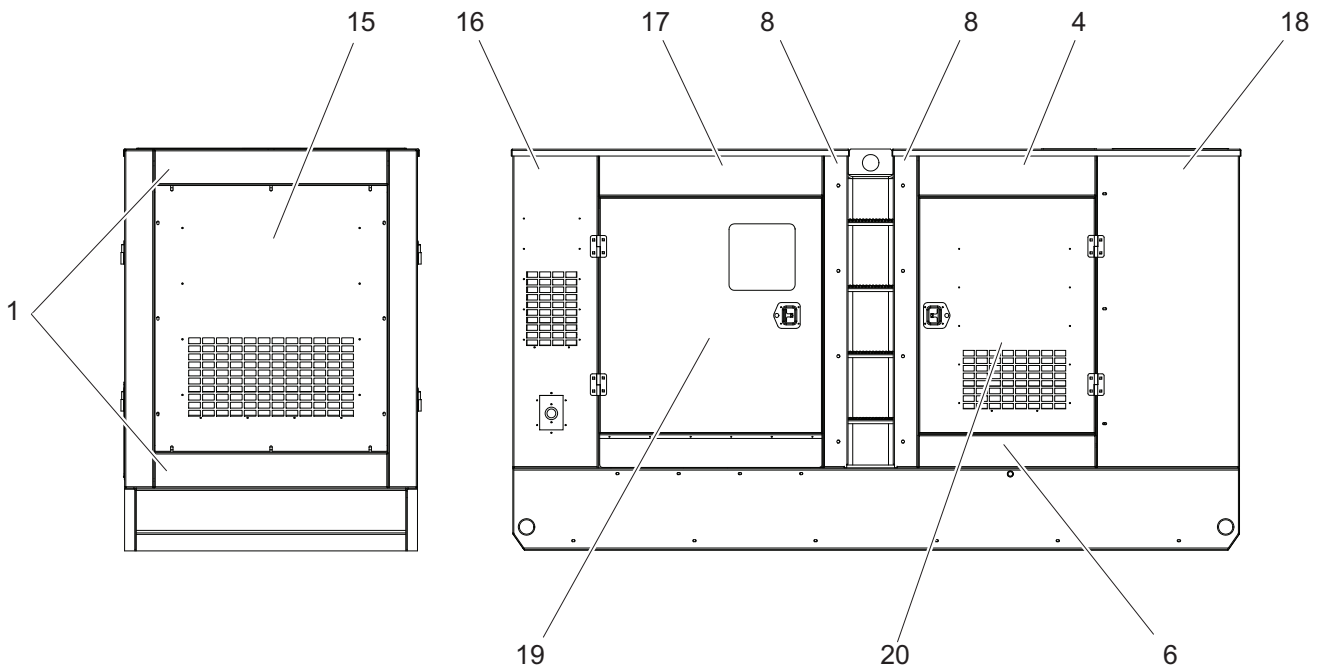
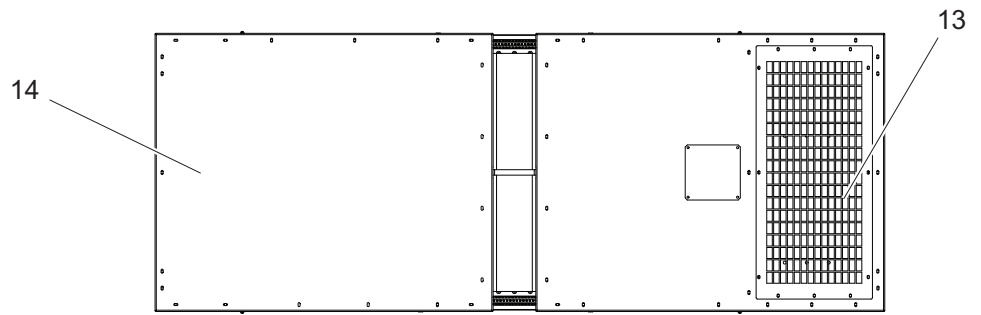
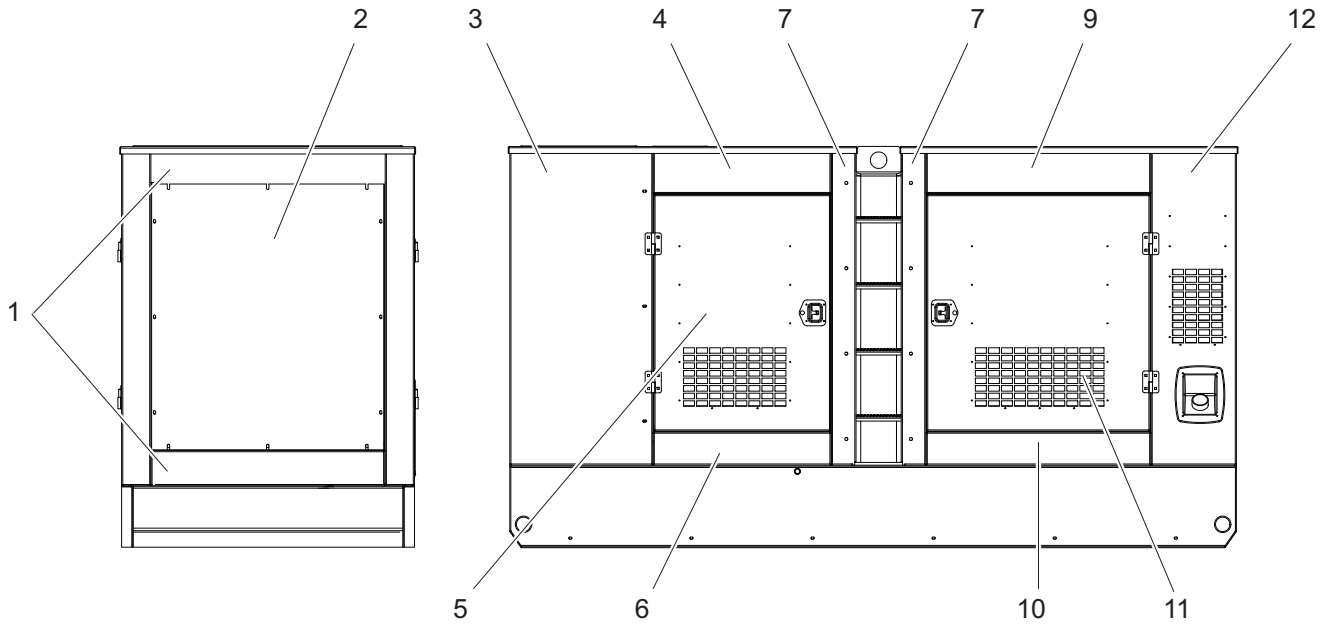
TABLE OF CONTENTS

	Page
INTRODUCTION	2
ENCLOSURE PANELS	6
UNIT DECALS - LEFT SIDE - MMG120	8
UNIT DECALS - RIGHT SIDE - MMG120	9
UNIT DECALS - LEFT SIDE - MMG120CAN, MMG120CAN6	10
UNIT DECALS - RIGHT SIDE - MMG120CAN, MMG120CAN6	11
LEFT FRONT DOOR ASSEMBLY	12
LEFT REAR DOOR ASSEMBLY	14
RIGHT FRONT DOOR ASSEMBLY	16
CONTROL DOOR ASSEMBLY	18
FRONT ROOF PANEL ASSEMBLY	20
REAR ROOF PANEL ASSEMBLY	22
FRONT PANEL ASSEMBLY	24
REAR PANEL ASSEMBLY	26
LEFT SIDE CENTER PANEL ASSEMBLY	28
RIGHT SIDE CENTER PANEL ASSEMBLY	30
END AND LOWER SIDE PANEL ASSEMBLY	32
UPPER SIDE PANEL ASSEMBLY	34
LEFT REAR CORNER ASSEMBLY	36
RIGHT REAR CORNER ASSEMBLY	38
LEFT FRONT CORNER ASSEMBLY	40
RIGHT FRONT CORNER ASSEMBLY	42
CONTROL BOX ASSEMBLY (1 OF 2) - MMG120, MMG120CAN	44
CONTROL BOX ASSEMBLY (2 OF 2) - MMG120, MMG120CAN	46
CONTROL BOX ASSEMBLY (1 OF 2) - MMG120CAN6	48
CONTROL BOX ASSEMBLY (2 OF 2) - MMG120CAN6	50
LEFT CONTROL PANEL ASSEMBLY	52
RIGHT CONTROL PANEL ASSEMBLY	54
RIGHT CONTROL PANEL ASSEMBLY - ANALOG GAUGES - MMG120, MMG120CAN	56
LUG BOX ASSEMBLY	58
LUG PLATE ASSEMBLY	60
LUG BOX DOOR ASSEMBLY	62
OUTLET PANEL ASSEMBLY - MMG120	64
OUTLET PANEL ASSEMBLY - MMG120CAN, MMG120CAN6	66
LIFT STRUCTURE ASSEMBLY	68
AIR FILTER ASSEMBLY	70
EXHAUST SYSTEM ASSEMBLY	72
COOLING SYSTEM ASSEMBLY	74
COOLING SYSTEM HOSES	76
ENGINE AND GENERATOR TO SKID ASSEMBLY	78
ENGINE ASSEMBLY	80
ENGINE MOUNT ASSEMBLY	82
OIL RECIRCULATION ASSEMBLY	84
CLUTCHED FAN ASSEMBLY - MMG120CAN, MMG120CAN6	86
HOTSTART ASSEMBLY - MMG120CAN, MMG120CAN6	88
GENERATOR ASSEMBLY - MMG120, MMG120CAN	90
GENERATOR ASSEMBLY - MMG120CAN6	92
GENERATOR BOX ASSEMBLY - STD GEN, 3 POS - MMG120, MMG120CAN	94
GENERATOR BOX ASSEMBLY - STD GEN, 3 POS - MMG120CAN6	96
GENERATOR BOX ASSEMBLY - STD GEN, 4 POS - MMG120, MMG120CAN	98
GENERATOR BOX ASSEMBLY - SS GEN, 3 POS - MMG120, MMG120CAN	100
GENERATOR BOX ASSEMBLY - SS GEN, 4 POS - MMG120, MMG120CAN	102
SKID ASSEMBLY	104
FUEL TANK ASSEMBLY	106
TRAILER ASSEMBLY	108
AXLE ASSEMBLY	110

TRAILER BRAKE LINES	112
TRAILER HITCH OPTIONS	114
RECOMMENDED SPARE PARTS LIST	116

This Page Intentionally Left Blank

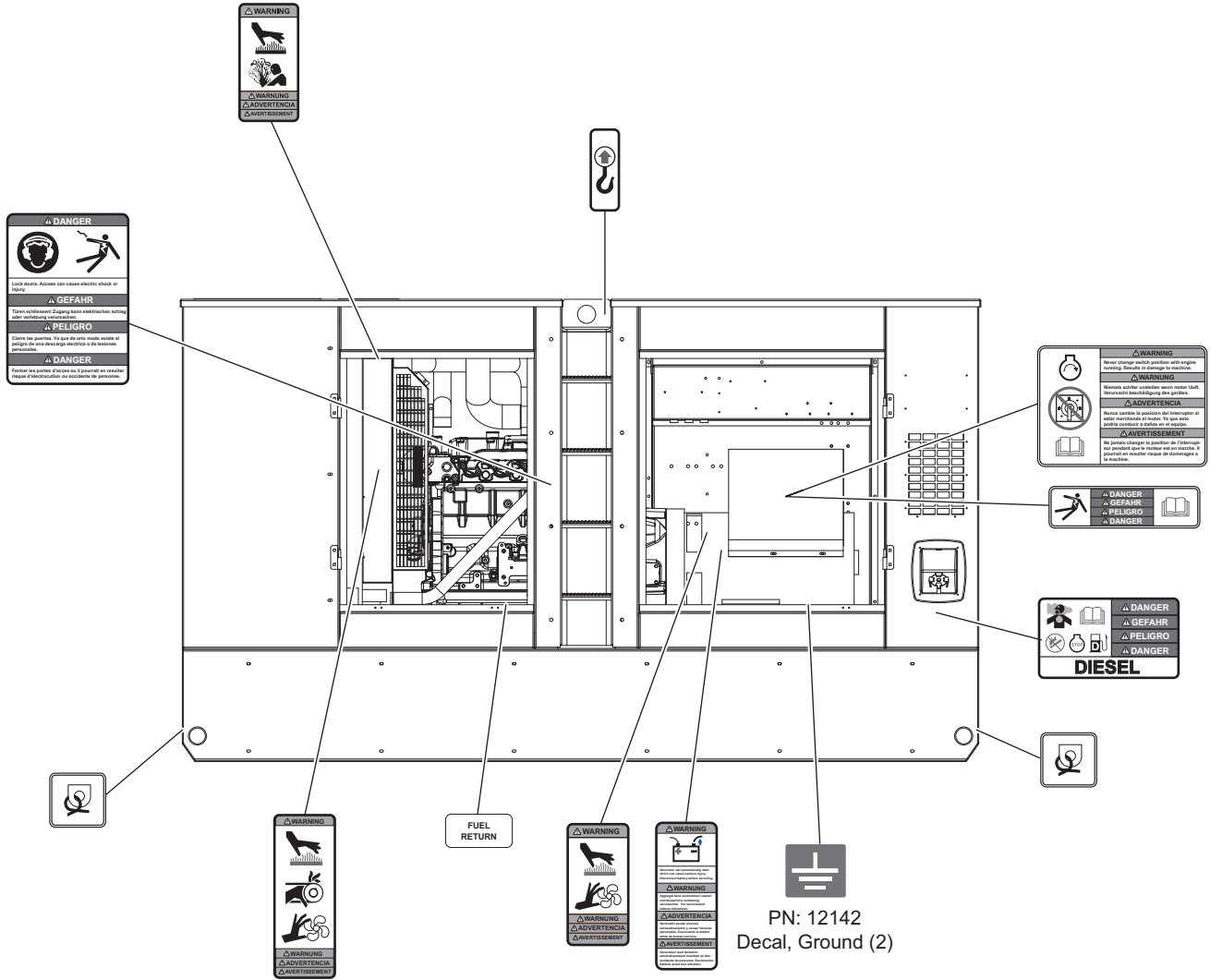
ENCLOSURE PANELS



ENCLOSURE PANELS

ITEM	PART NO.	QTY	DESCRIPTION	NOTES
1	<i>Page 32</i>	4	End panel assembly	
2	<i>Page 24</i>	1	Front panel assembly	
3	<i>Page 40</i>	1	Left front corner assembly	
4	<i>Page 34</i>	2	Upper side panel assembly	
5	<i>Page 12</i>	1	Left front door assembly	
6	<i>Page 32</i>	2	Lower side panel assembly	
7	<i>Page 28</i>	1	Left side center panel assembly	
8	<i>Page 30</i>	1	Right side center panel assembly	
9	<i>Page 34</i>	1	Upper side panel assembly	
10	<i>Page 32</i>	1	Lower side panel assembly	
11	<i>Page 14</i>	1	Left rear door assembly	
12	<i>Page 36</i>	1	Left rear corner assembly	
13	<i>Page 20</i>	1	Front roof panel assembly	
14	<i>Page 22</i>	1	Rear roof panel assembly	
15	<i>Page 26</i>	1	Rear panel assembly	
16	<i>Page 38</i>	1	Right rear corner assembly	
17	<i>Page 34</i>	1	Upper side panel assembly	
18	<i>Page 42</i>	1	Right front corner assembly	
19	<i>Page 18</i>	1	Control door assembly	
20	<i>Page 16</i>	1	Right front door assembly	

UNIT DECALS - LEFT SIDE - MMG120



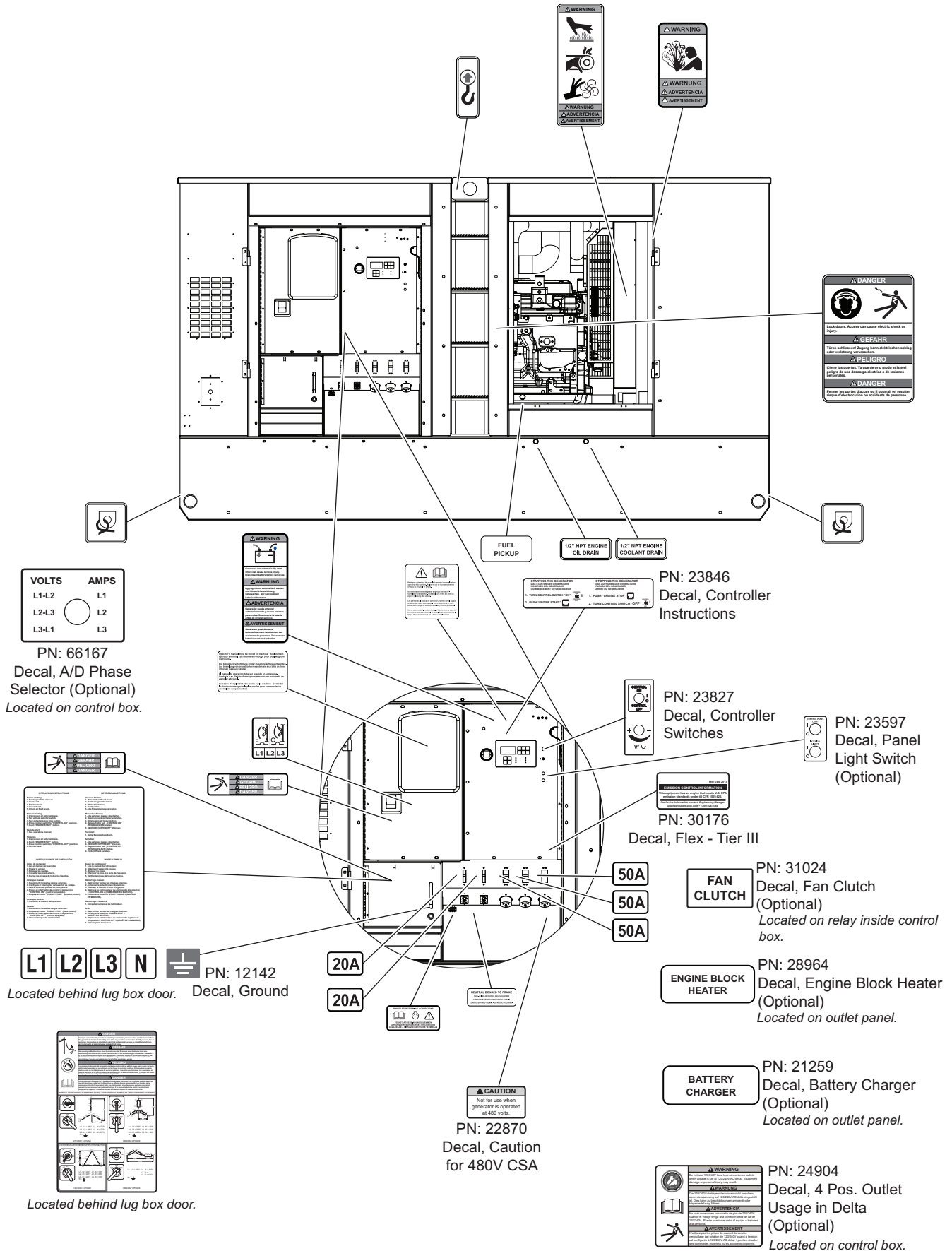
TOWING INSTRUCTIONS	ABSCHLEPPINSTRUKTIONEN	INSTRUCCIONES DE REMOLQUE	INSTRUCTIONS DE REMORQUAGE
<ol style="list-style-type: none"> 1. Read operator's manual. 2. Read towing vehicle's manual. 3. Securely attach trailer to tow vehicle. 4. Do not exceed gross vehicle weight rating. 5. Check trailer hitch. 	<ol style="list-style-type: none"> 1. Lesen des Bedienungsmanuels. 2. Lesen des Zugschlupfmanuels. 3. Anbringen des Anhängers an das Zugschlupfgerät. 4. Einhaltung des zulässigen Gesamtgewichts. 5. Anbringen des Anhängers. 	<ol style="list-style-type: none"> 1. Leer el manual del operador. 2. Leer el manual del vehículo que lo remolca. 3. Asegurar el acople de remolque. 4. No exceder el peso máximo autorizado. 5. Comprobar el enganche de remolque. 6. Comprobar el estado del remolque. 	<ol style="list-style-type: none"> 1. Lire le manuel d'opérateur. 2. Lire le manuel de la remorque. 3. Attacher la remorque au véhicule tracteur. 4. Ne pas dépasser la charge maximale autorisée. 5. Vérifier l'état de la remorque. 6. Vérifier l'état du remorqueur.

Located on tongue of trailered units.

01616

Note: All safety and operating decals are located on decal sheet 23599, unless otherwise noted.

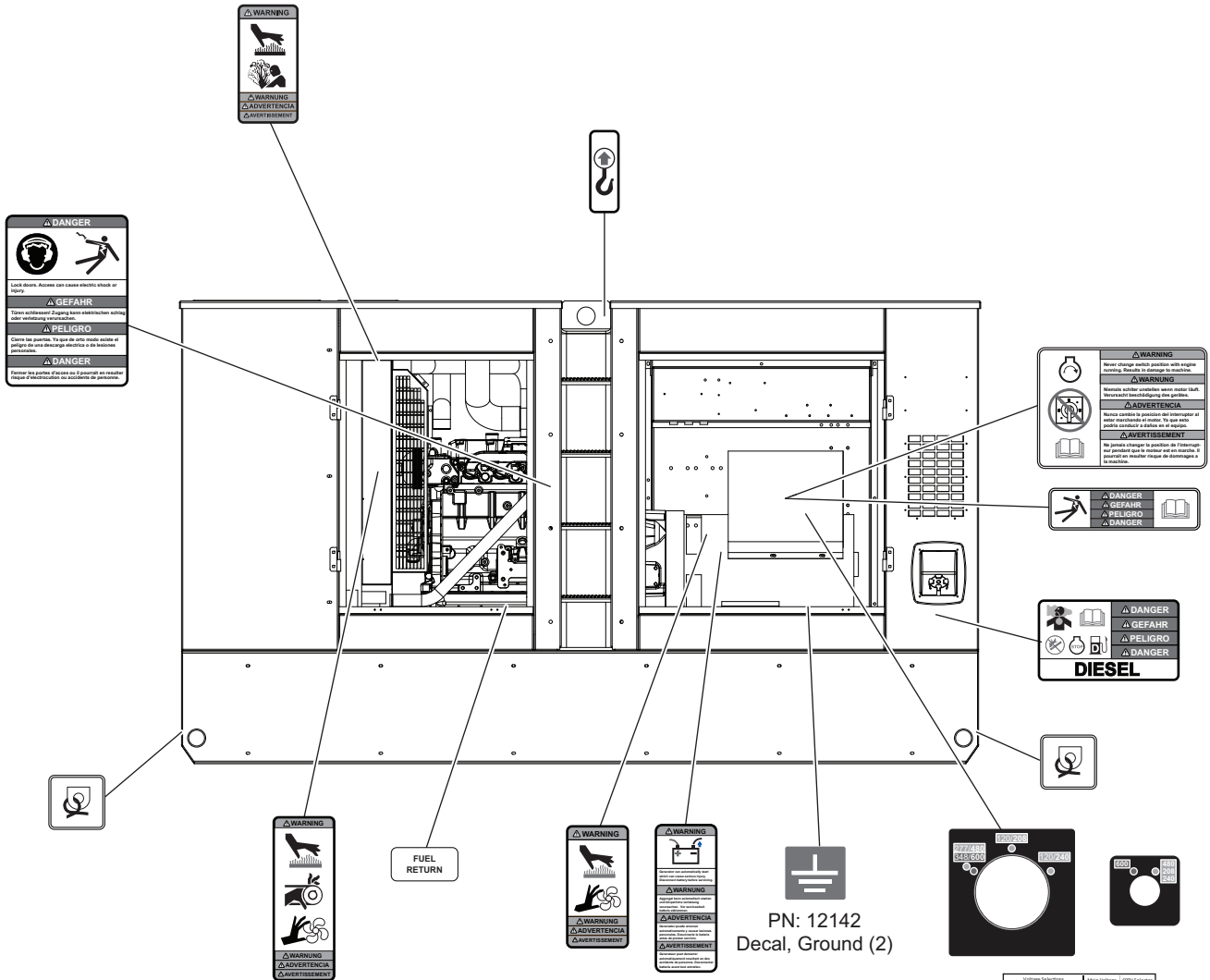
UNIT DECALS - RIGHT SIDE - MMG120



01617

Note: All safety and operating decals are located on decal sheet 23599, unless otherwise noted.

UNIT DECALS - LEFT SIDE - MMG120CAN, MMG120CAN6



TOWING INSTRUCTIONS	ABSCHLEPPINSTRUKTIONEN	INSTRUCCIONES DE REMOLQUE	INSTRUCTIONS DE REMORQUAGE
<ol style="list-style-type: none"> 1. Read operator's manual. 2. Use proper hitching technique. Do not use improper hitching technique. 3. Securely attach trailer to tow vehicle. 4. Check safety chains and safety devices. 5. Check tire condition and tire inflation. 6. Check trailer lights. 	<ol style="list-style-type: none"> 1. Les instructions de remorque. 2. Utilisez une technique appropriée de montage de remorque. Ne pas utiliser de techniques de montage de remorque incorrectes. 3. Attachez solidement le remorqueur à la remorque. 4. Vérifiez les chaînes de sécurité et les dispositifs de sécurité. 5. Vérifiez l'état des pneus et l'inflation des pneus. 6. Vérifiez les feux du remorqueur. 	<ol style="list-style-type: none"> 1. Consulte el manual de operación. 2. Utilice un método correcto de acople para el remolcador y la remolca. No use un método de acople incorrecto. 3. Asegure el acople correctamente al remolcador y al vehículo. 4. Compruebe las cadenas de seguridad y los dispositivos de seguridad. 5. Compruebe el estado de los neumáticos y la presión de los neumáticos. 6. Compruebe las luces del remolcador. 	<ol style="list-style-type: none"> 1. Lire le manuel de l'opérateur. 2. Utiliser un correctif d'attelage conforme au manuel d'opérateur. Ne pas utiliser de technique d'attelage incorrecte. 3. Assurer les chaînes de sécurité et sécuriser les dispositifs de sécurité. 4. Vérifier l'état des pneus et l'inflation des pneus. 5. Vérifier les feux de remorqueur et vérifiés. 6. Vérifier les feux du remorqueur.

Located on tongue of trailered units.

Voltage Selection		Mean Voltage	600V Selector
UK	USA / Configuration	Output (amps)	Input
240	100	2.0	
277	480	3.0	
100	200	3.0	
100	240	1.0	

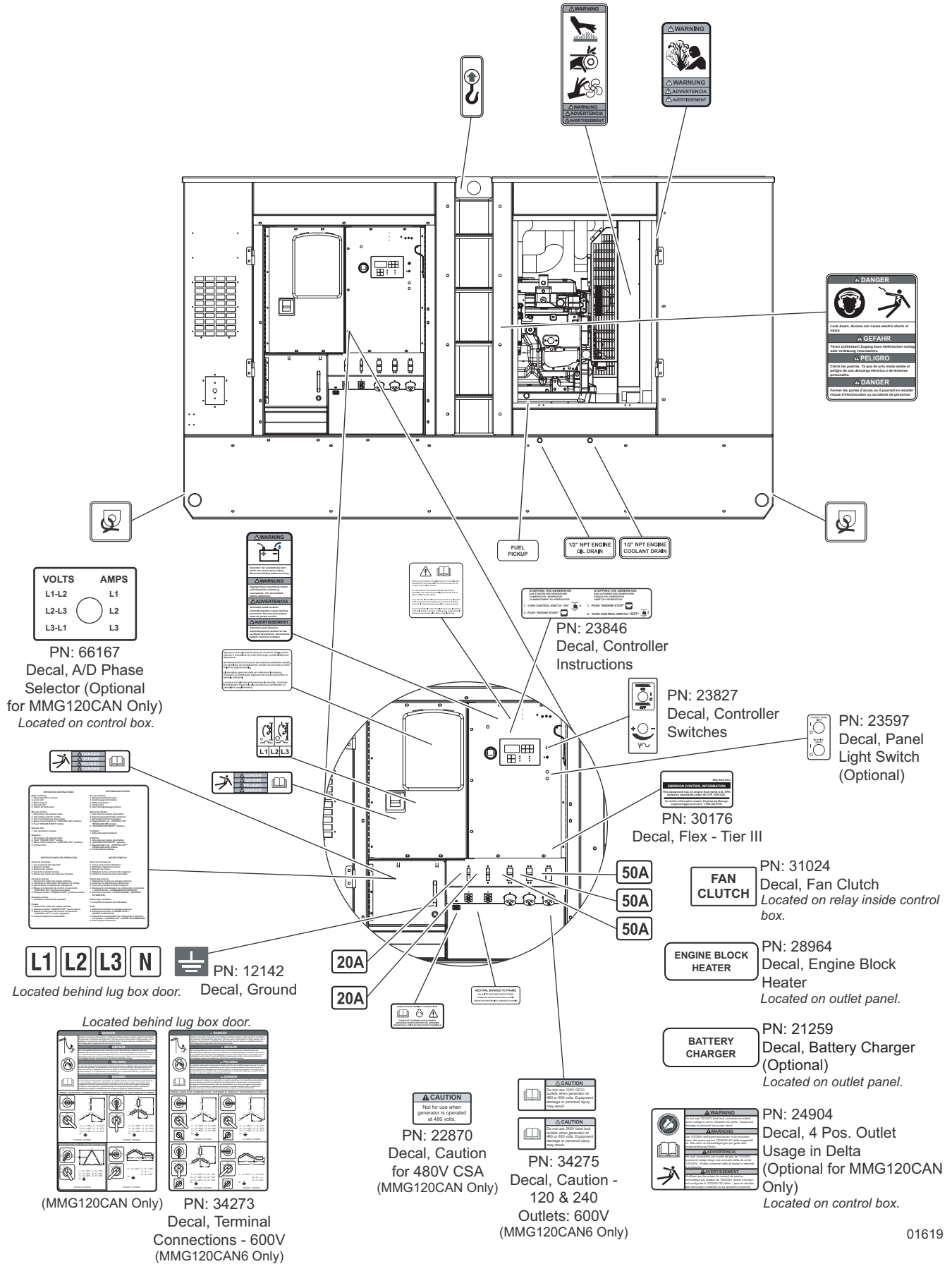
PN: 34273
Decal, Terminal Connections - 600V (MMG120CAN6 Only)

CAUTION
Before transporting unit turn OFF both (2) Fuel Port Shutoff Valves per UN31A.

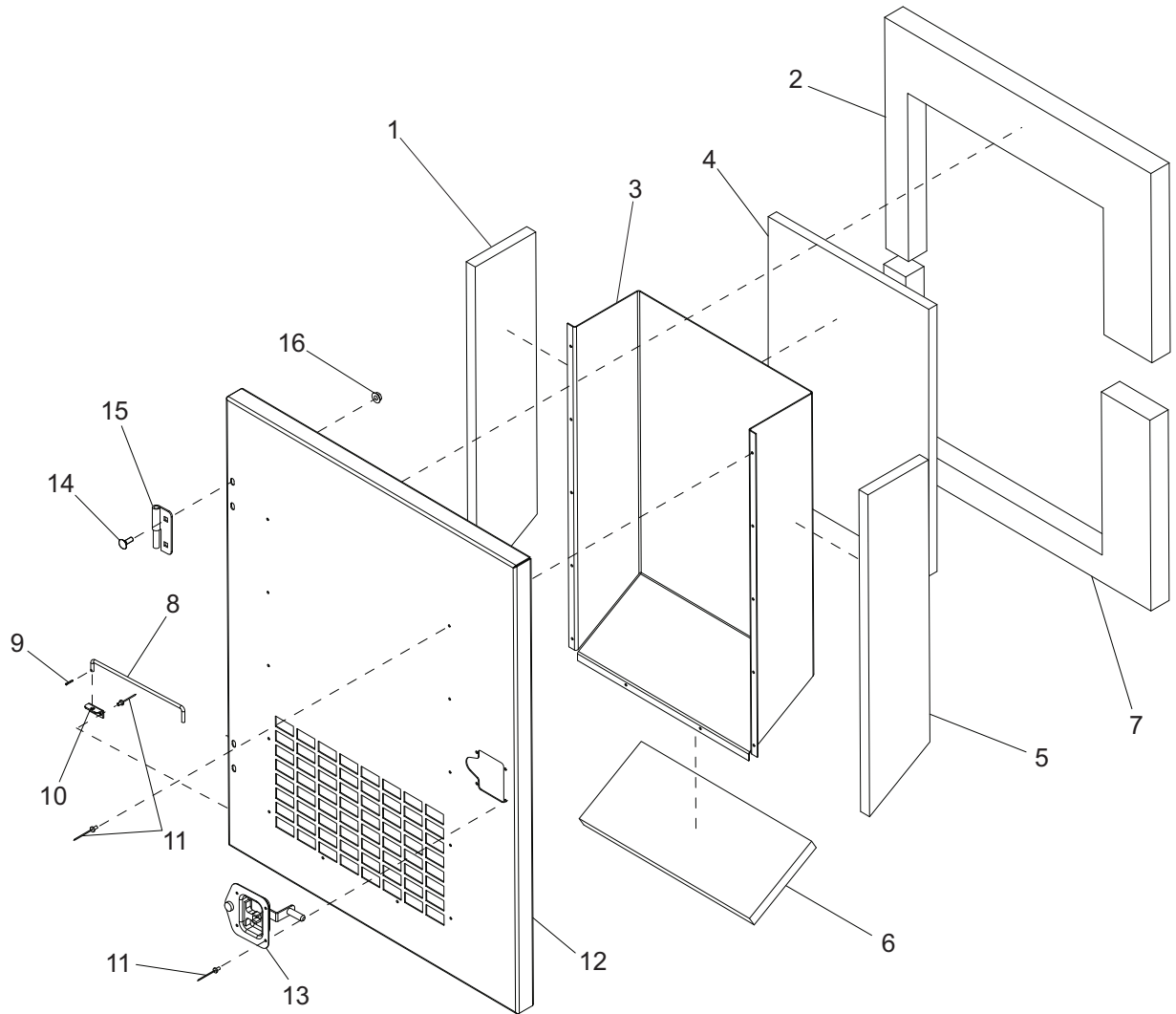
CAUTION
OPEN VALVE BEFORE FUELING!

PN: 30175
Decal, UN31A Tank Caution
Located on fuel tank.

UNIT DECALS - RIGHT SIDE - MMG120CAN, MMG120CAN6



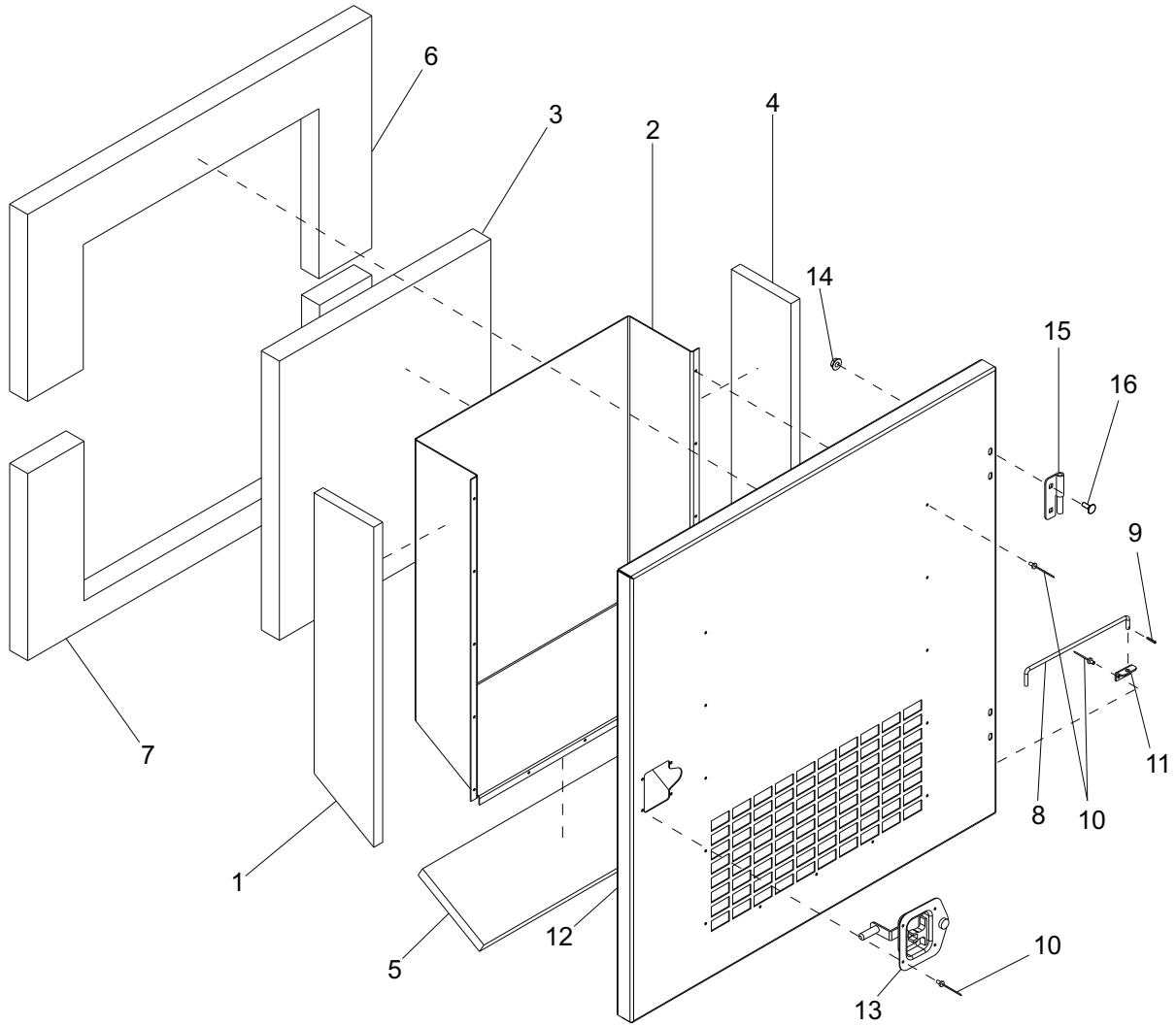
LEFT FRONT DOOR ASSEMBLY



LEFT FRONT DOOR ASSEMBLY

ITEM	PART NO.	QTY	DESCRIPTION	NOTES
1	22486	1	Foam, small duct - right	
2	22193	1	Foam, left front door - upper	
3	26089W	1	Duct, left front door	
4	22487	1	Foam, small duct - face	
5	22485	1	Foam, small duct - left	
6	22488	1	Foam, small duct - lower	
7	22194	1	Foam, left front door - lower	
8	18900ZC	1	Rod, door prop	
9	60048	1	Pin, roll .125 x .625	
10	20916Z	1	Bracket, prop rod	
11	60268	18	Rivet, .188 dia. x .126 to .250 grip, SS	
12	22160W	1	Door, left front	
13	22497	1	Latch, T-handle - left cw lock	
14	61066	4	Screw, .312-18 x 1.0 carr sqr, SS	
15	18459	2	Hinge, right (male)	
16	60095	4	Nut, .312-18 sflg	
--	26090	1	Assembly, left front door	Items 1 - 16

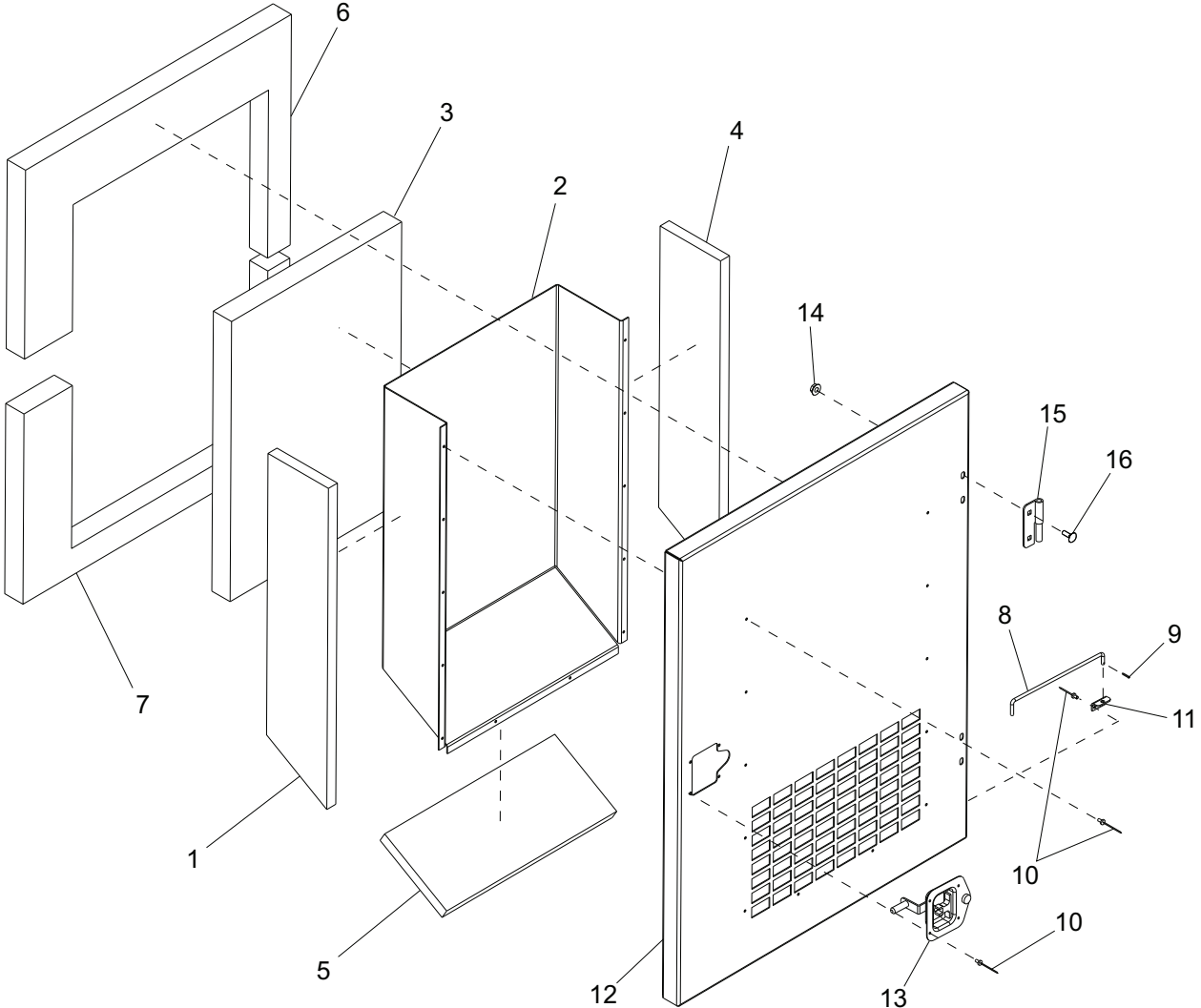
LEFT REAR DOOR ASSEMBLY



LEFT REAR DOOR ASSEMBLY

ITEM	PART NO.	QTY	DESCRIPTION	NOTES
1	22189	1	Foam, small duct - right	
2	22169W	1	Duct, left rear door	
3	22585	1	Foam, small duct - face	
4	22190	1	Foam, small duct - left	
5	22198	1	Foam, small duct - lower	
6	22195	1	Foam, left rear door - upper	
7	22196	1	Foam, left rear door - lower	
8	18900ZC	1	Rod, door prop	
9	60048	1	Pin, roll, .125 x .625	
10	60268	19	Rivet, .188 dia. x .126 to .250 grip, SS	
11	20916Z	1	Bracket, prop rod	
12	22161W	1	Door, left rear	
13	22498	1	Latch, T-handle - right ccw lock	
14	60095	4	Nut, .312-18 sflg	
15	18461	2	Hinge, left (male)	
16	61066	4	Screw, .312-18 x 1.0 carr sqr, SS	
--	22166	1	Assembly, left rear door	Items 1 - 16

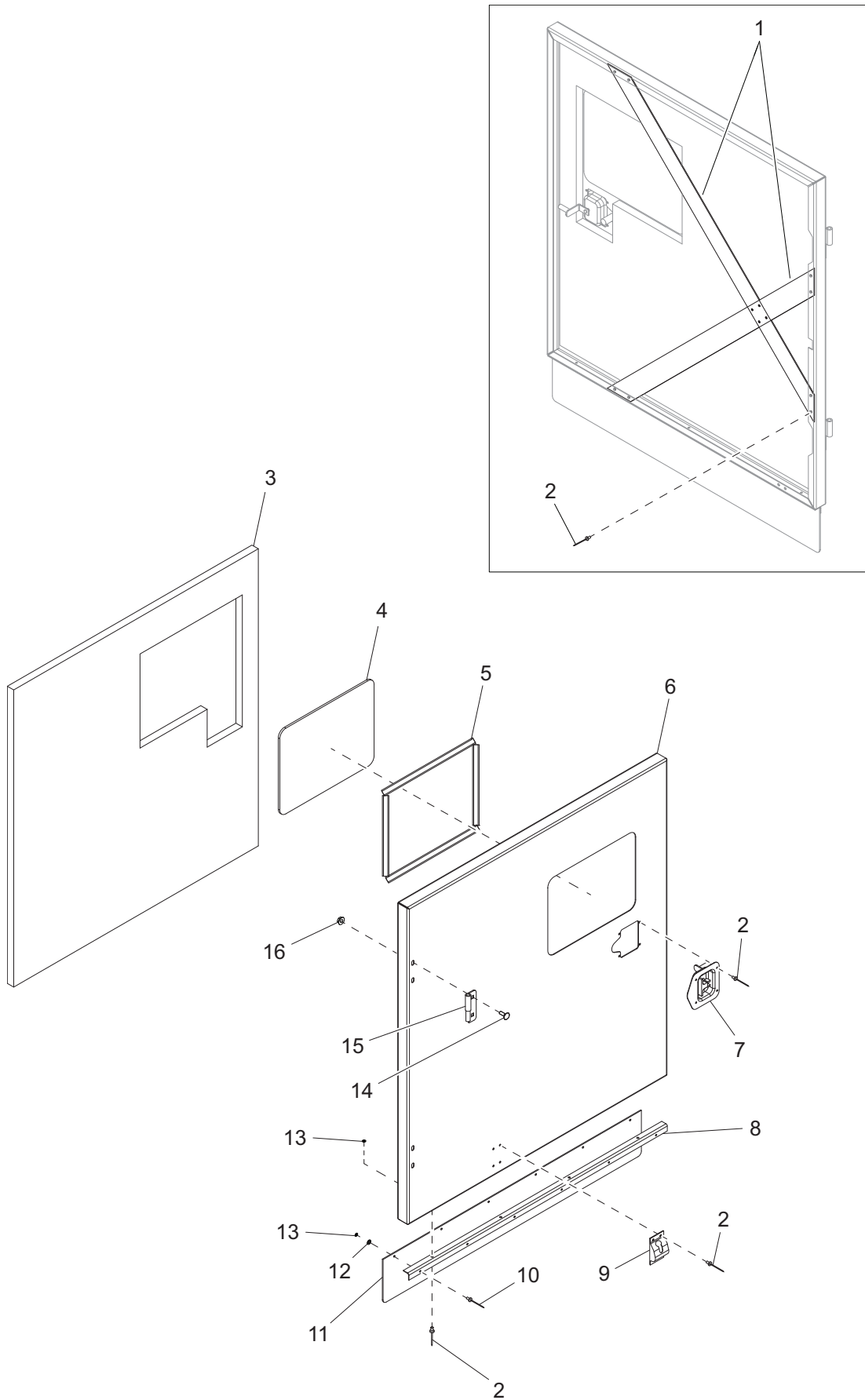
RIGHT FRONT DOOR ASSEMBLY



RIGHT FRONT DOOR ASSEMBLY

ITEM	PART NO.	QTY	DESCRIPTION	NOTES
1	22486	1	Foam, small duct - right	
2	22484W	1	Duct, right front door	
3	22487	1	Foam, small duct - face	
4	22485	1	Foam, small duct - left	
5	22488	1	Foam, small duct - lower	
6	22191	1	Foam, right front door - upper	
7	22192	1	Foam, right front door - lower	
8	18900ZC	1	Rod, door prop	
9	60048	1	Pin, roll .125 x .625	
10	60268	18	Rivet, .188 dia. x .126 to .250 grip, SS	
11	20916Z	1	Bracket, prop rod	
12	22159W	1	Door, right front	
13	22498	1	Latch, T-handle - right ccw lock	
14	60095	4	Nut, .312-18 sflg	
15	18461	2	Hinge, left (male)	
16	61066	4	Screw, .312-18 x 1.0 carr sqr, SS	
--	24997	1	Assembly, right front door	Items 1 - 16

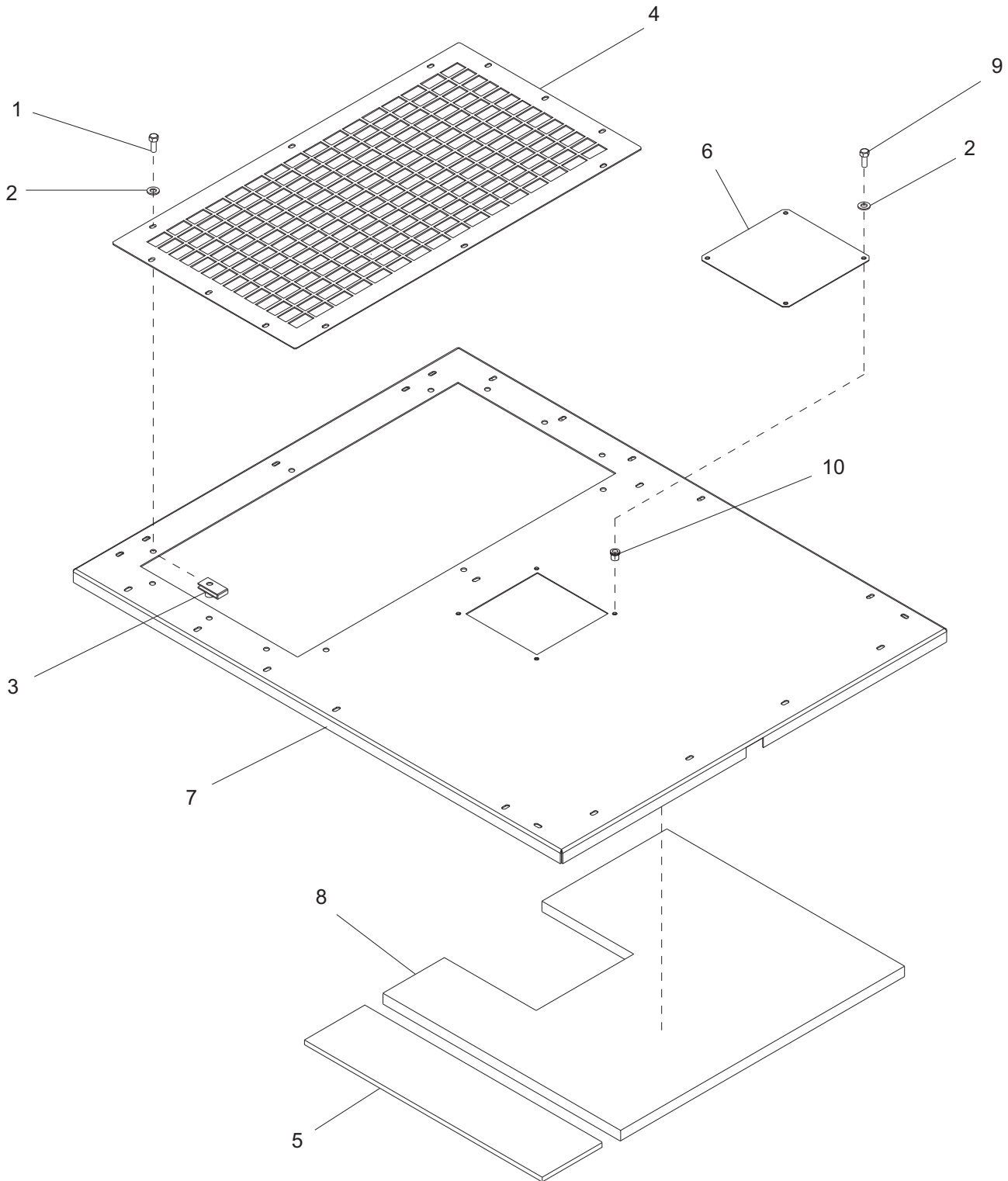
CONTROL DOOR ASSEMBLY



CONTROL DOOR ASSEMBLY

ITEM	PART NO.	QTY	DESCRIPTION	NOTES
1	22278B	2	Brace, control door	
2	60268	30	Rivet, .188 dia. x .126 to .250 grip, SS	
3	27542	1	Foam, control door	
4	21477	1	Window, control door	
5	50192	4.58 ft	Tape, .5 in. double sided type VHB	
6	29907W	1	Door, control	
7	22497	1	Latch, T-handle - left cw lock	
8	22170B	1	Bracket, door flap	
9	62225	1	Latch, door - stainless cable w/ball	
10	60260	6	Rivet, .188 dia. x .375 to .500 grip, SS	
11	22171	1	Flap, control door	
12	60696	6	Washer, .250 flat .625/.050, SS	
13	60067	10	Washer, #10 flat .435/.060, SS	
14	61066	4	Screw, .312-18 x 1.0 carr sqr, SS	
15	18459	2	Hinge, right (male)	
16	60095	4	Nut, .312-18 sflg	
--	29037	1	Assembly, control door	Items 1 - 16

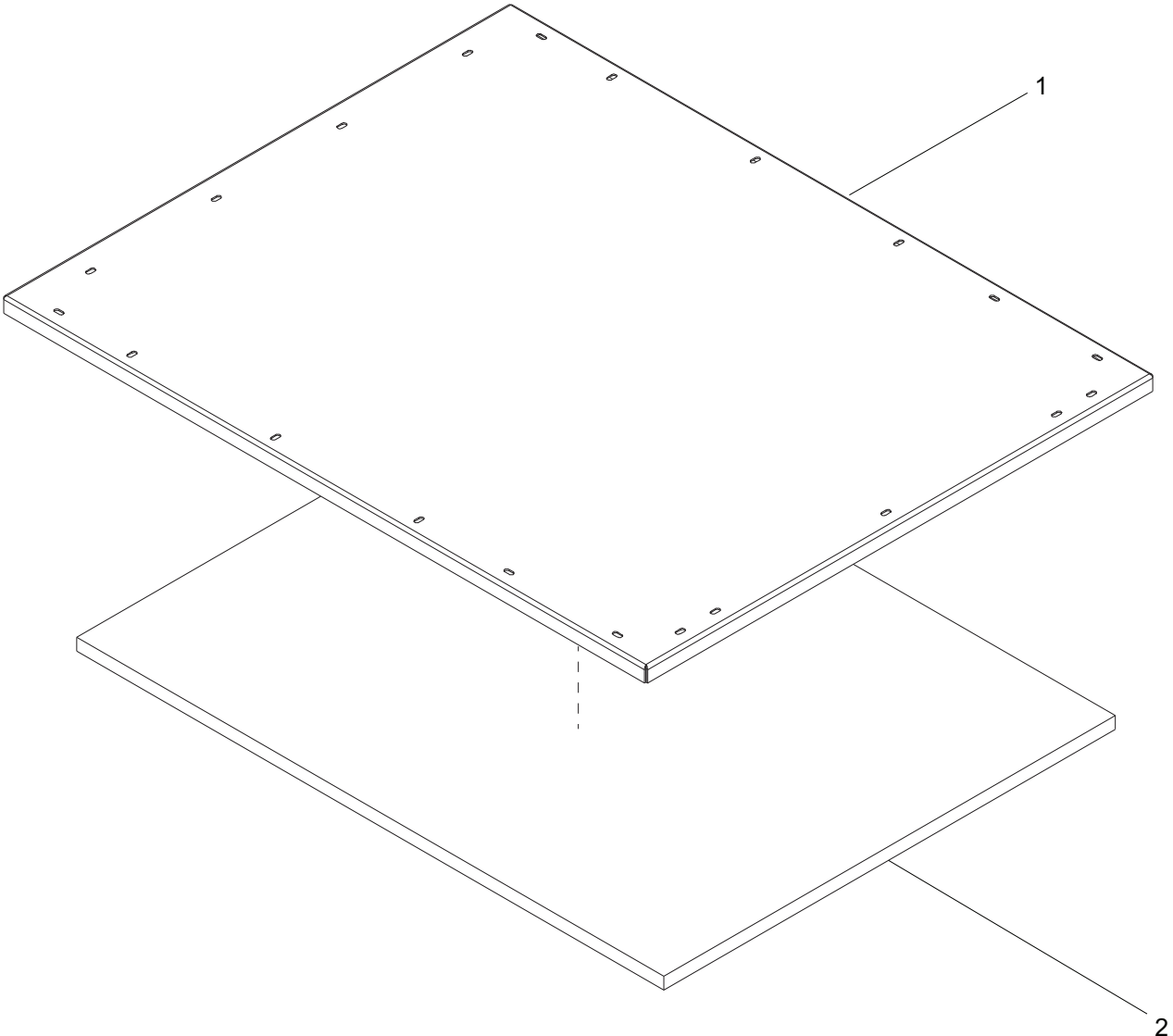
FRONT ROOF PANEL ASSEMBLY



FRONT ROOF PANEL ASSEMBLY

ITEM	PART NO.	QTY	DESCRIPTION	NOTES
1	60168	12	Screw, .312-18 x .750 std hex G5	
2	60452	16	Washer, .313 flat 1.125/1.0 bonded rubber, SS	
3	60505	12	Nut, .312-18 U-clip - long type	
4	22175W	1	Panel, roof insert	
5	23982	1	Insulation, ceramic roof	
6	25053W	1	Panel, access	
7	22068W	1	Panel, front roof	
8	22174	1	Foam, front roof	
9	63311	4	Screw, .250-20 x .500 std hex, SS	
10	62132	4	Insert, threaded - .250-20 splined .027-.165 grip	
--	22091	1	Assembly, front roof	Items 1 - 10

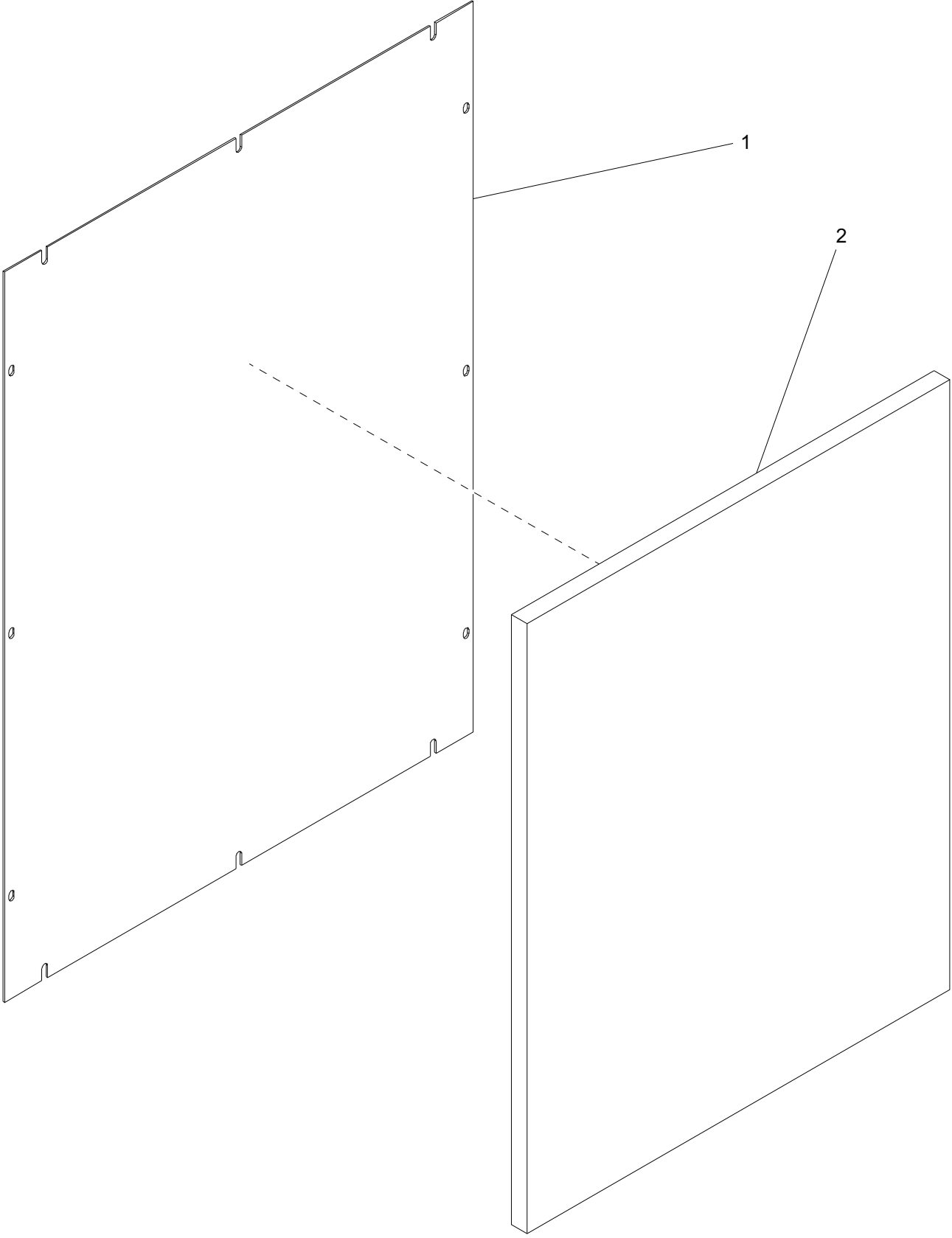
REAR ROOF PANEL ASSEMBLY



REAR ROOF PANEL ASSEMBLY

ITEM	PART NO.	QTY	DESCRIPTION	NOTES
1	22067W	1	Panel, rear roof	
2	22173	1	Foam, rear roof panel	
--	22090	1	Assembly, rear roof	Items 1 - 2

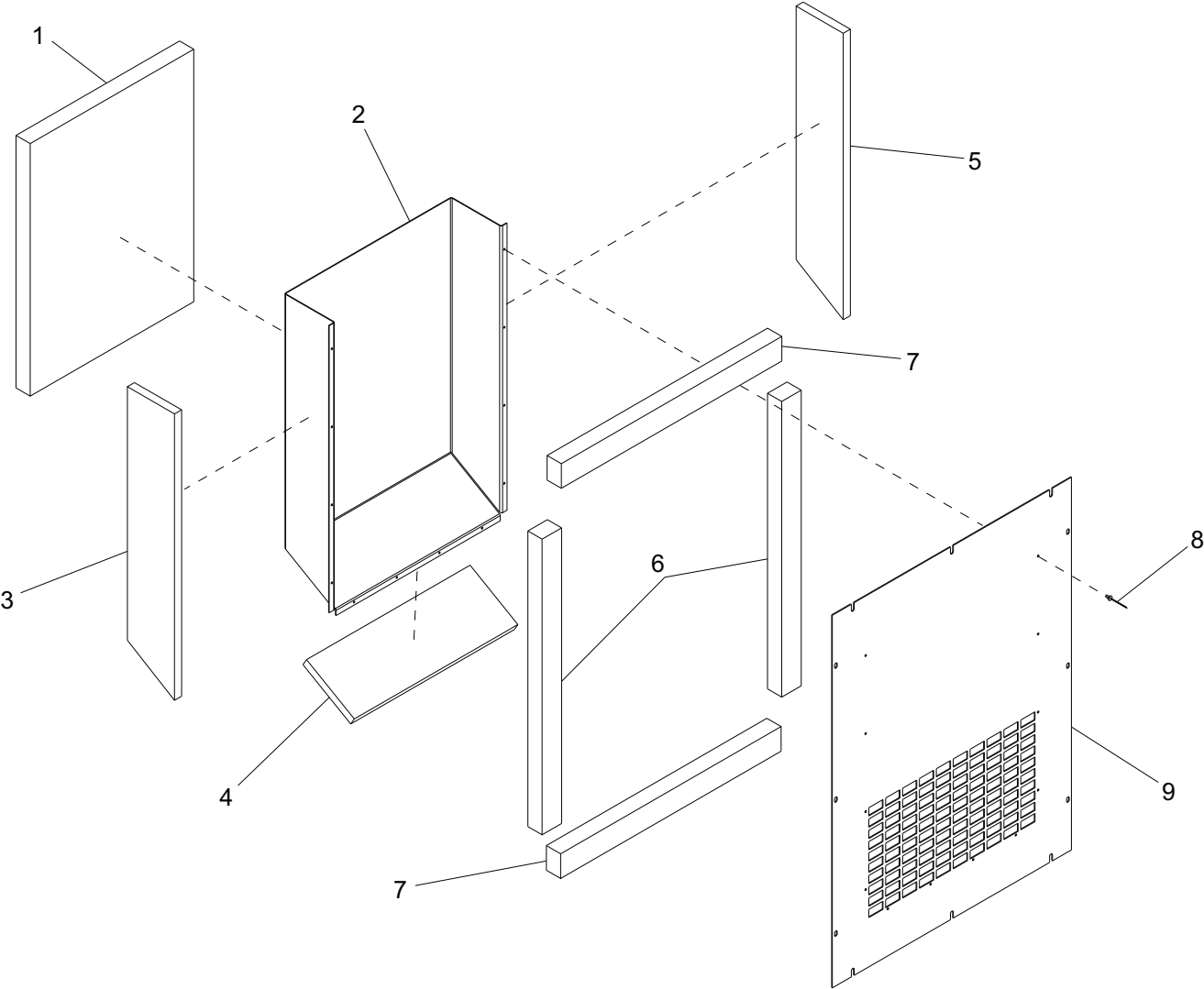
FRONT PANEL ASSEMBLY



FRONT PANEL ASSEMBLY

ITEM	PART NO.	QTY	DESCRIPTION	NOTES
1	22065W	1	Panel, front	
2	22183	1	Foam, front panel	
--	22089	1	Assembly, front panel	Items 1 - 2

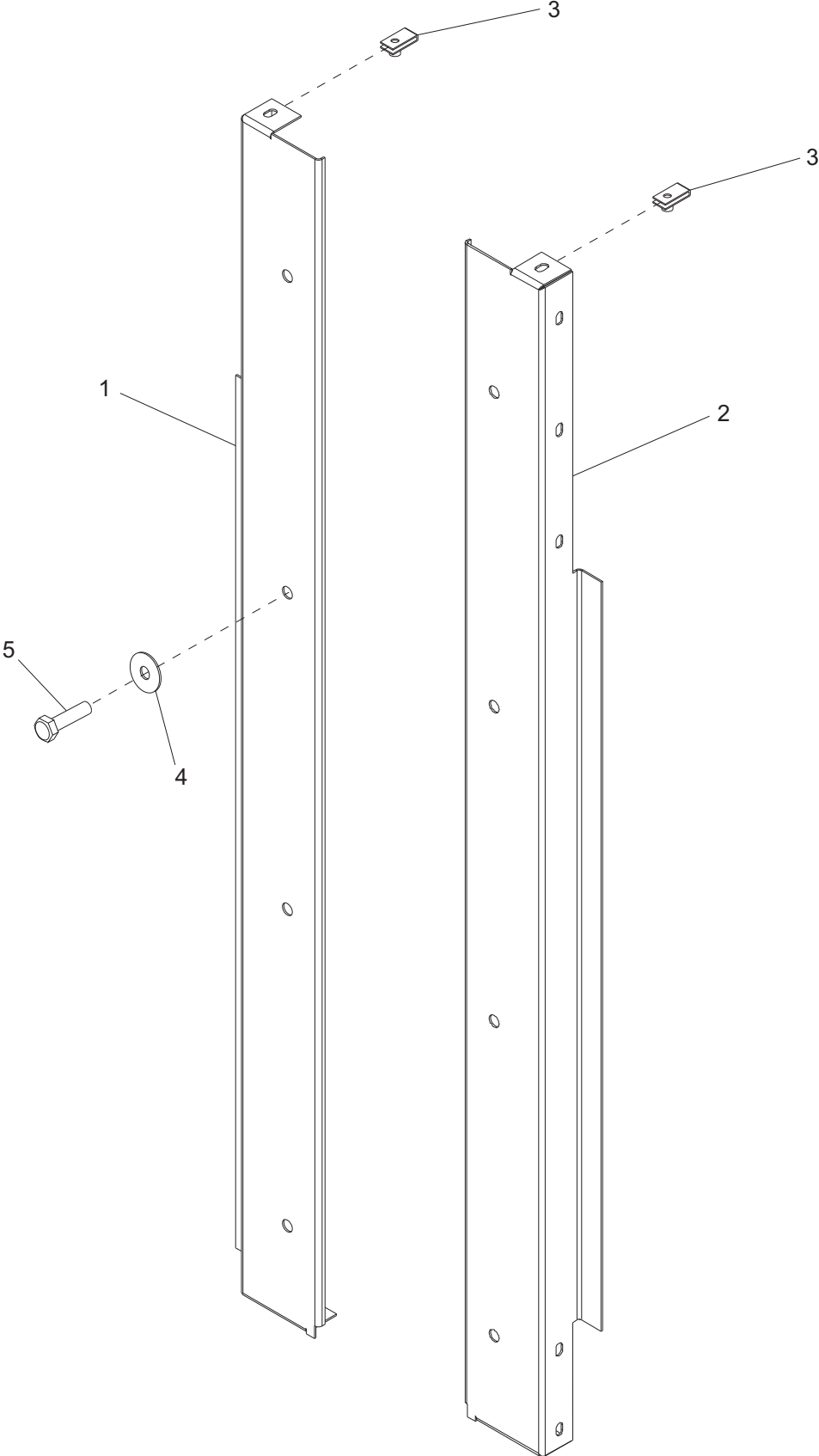
REAR PANEL ASSEMBLY



REAR PANEL ASSEMBLY

ITEM	PART NO.	QTY	DESCRIPTION	NOTES
1	22184	1	Foam, duct - face	
2	22138W	1	Duct, rear	
3	21966	1	Foam, duct - left	
4	22185	1	Foam, duct - lower	
5	21965	1	Foam, duct - right	
6	21989	2	Foam, rear panel - long	
7	22186	2	Foam, rear panel - short	
8	60268	12	Rivet, .188 dia. x .126 to .250 grip, SS	
9	22066W	1	Panel, rear	
--	22144	1	Assembly, rear panel	Items 1 - 9

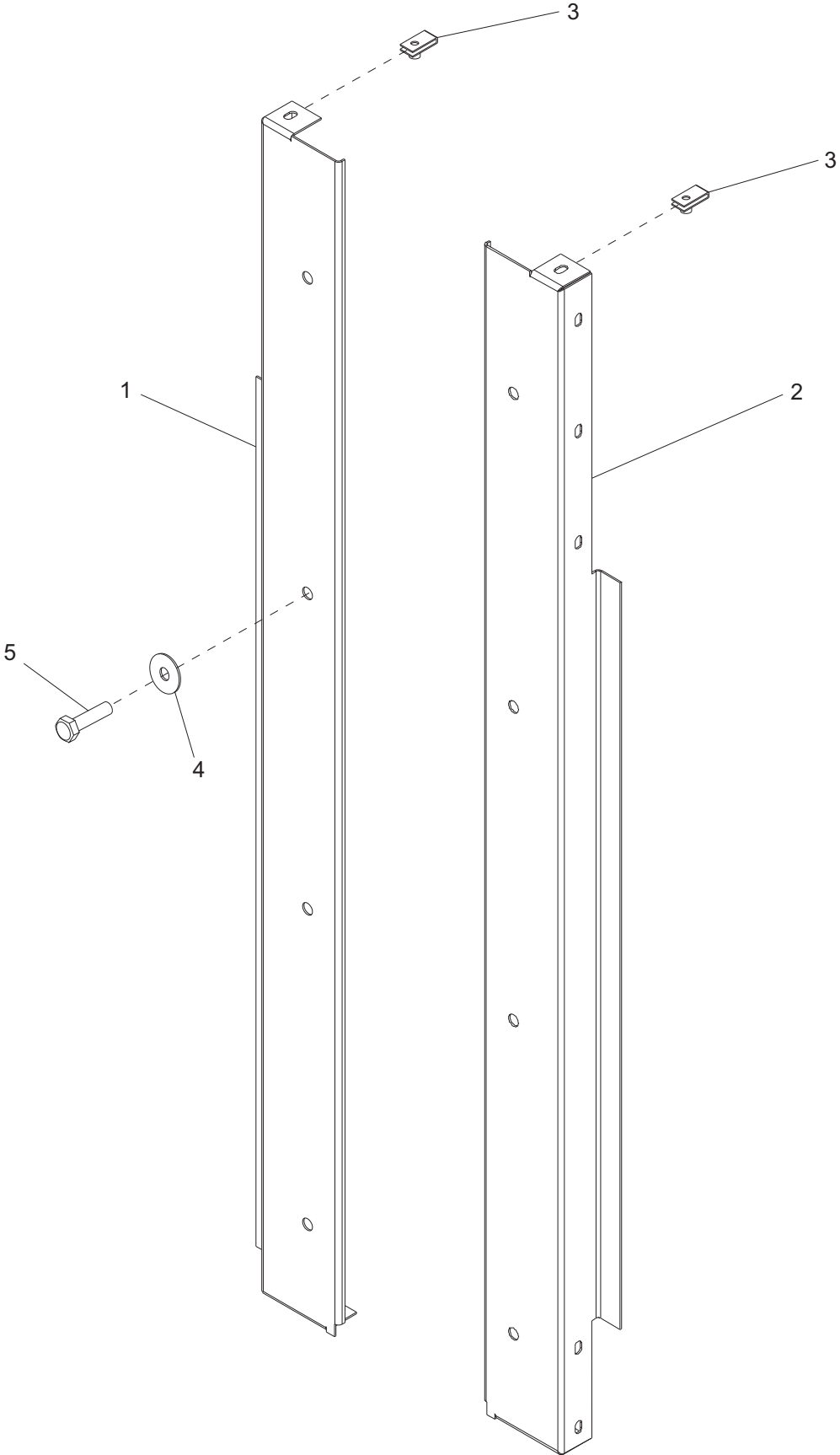
LEFT SIDE CENTER PANEL ASSEMBLY



LEFT SIDE CENTER PANEL ASSEMBLY

ITEM	PART NO.	QTY	DESCRIPTION	NOTES
1	22131W	1	Panel, left/middle/front	
2	22130W	1	Panel, left/middle/rear	
3	60505	2	Nut, .312-18 U-clip - long type	
4	60452	8	Washer, .313 flat 1.125/1.0 bonded rubber, SS	
5	60168	8	Screw, .312-18 x .750 std hex	

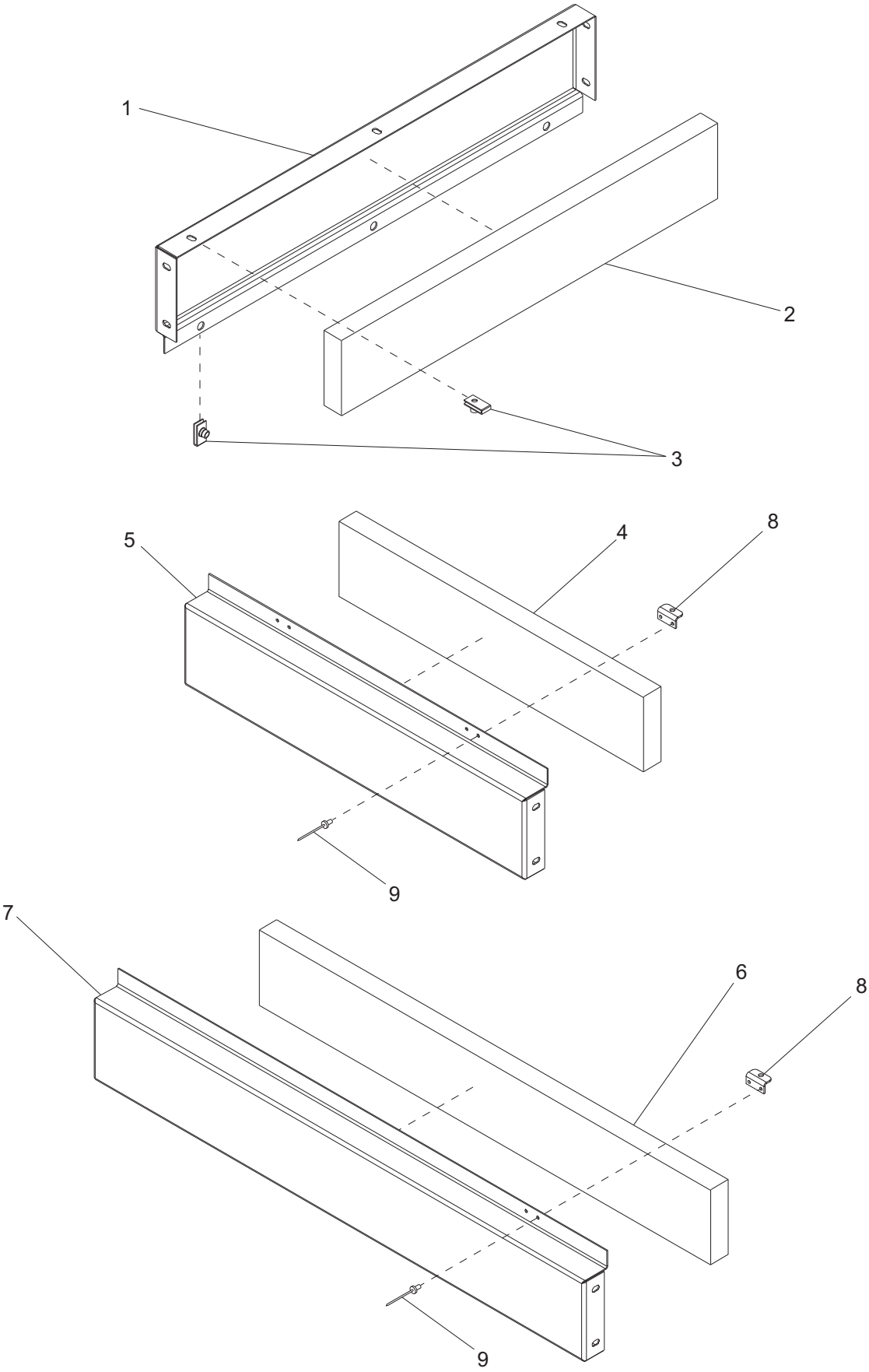
RIGHT SIDE CENTER PANEL ASSEMBLY



RIGHT SIDE CENTER PANEL ASSEMBLY

ITEM	PART NO.	QTY	DESCRIPTION	NOTES
1	22129W	1	Panel, right/middle/rear	
2	22130W	1	Panel, right/middle/front	
3	60505	2	Nut, .312-18 U-clip - long type	
4	60452	8	Washer, .313 flat 1.125/1.0 bonded rubber, SS	
5	60507	8	Screw, .312-18 x 1.0 std hex, SS	
--	26265B	1	Plate, door latch	
--	61091	2	Screw, .312-18 x 1.0 sflg hex, G5	
--	60095	2	Nut, .312-18 sflg	

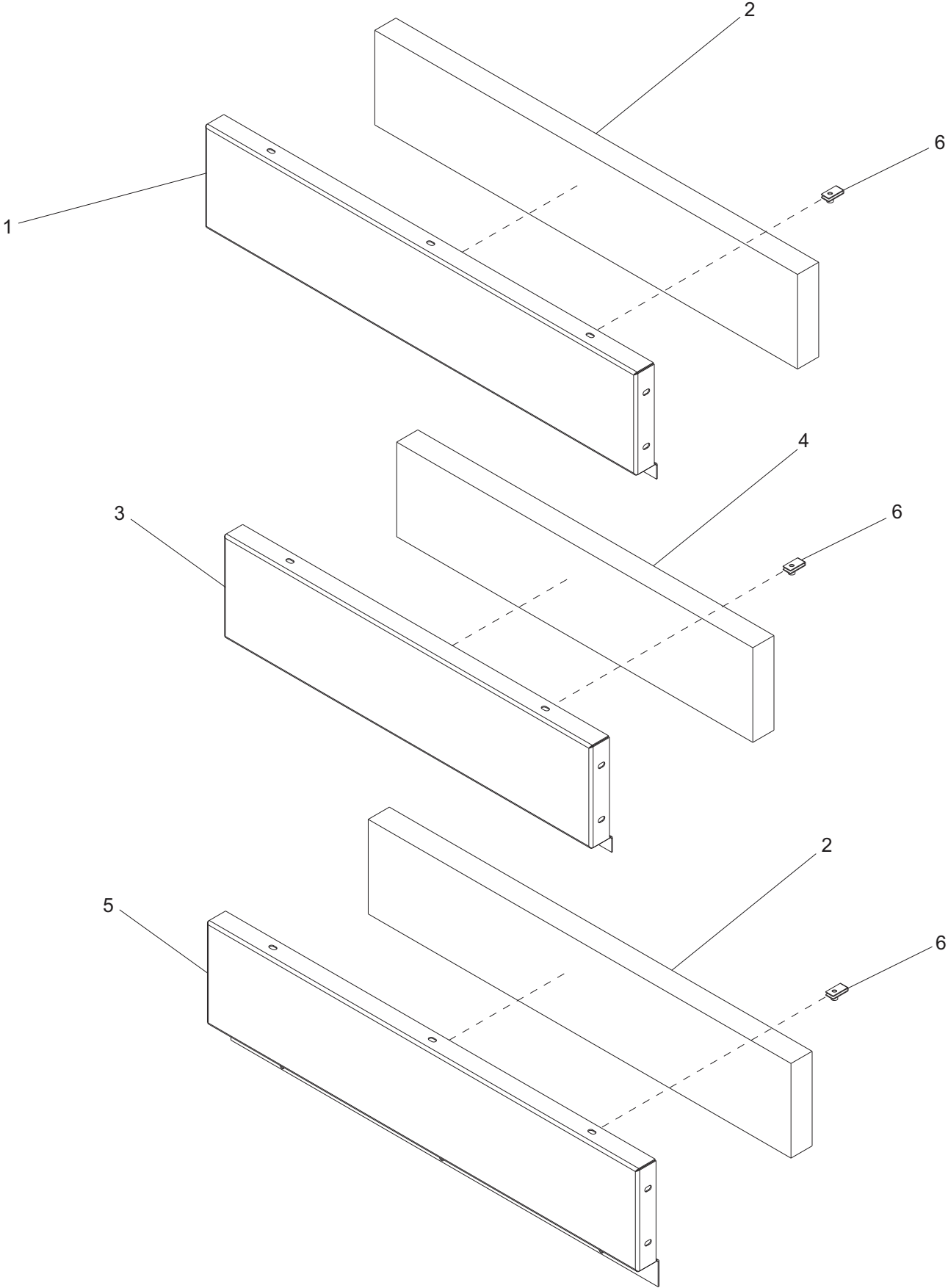
END AND LOWER SIDE PANEL ASSEMBLY



END AND LOWER SIDE PANEL ASSEMBLY

ITEM	PART NO.	QTY	DESCRIPTION	NOTES
1	22064W	4	Panel, end	
2	22178	4	Foam, end panel	
--	22088	4	Assembly, front/rear panel	Items 1 - 2 & 3
3	60505	18	Nut, .312-18 U-clip - long type	
4	22180	2	Foam, front lower side panel	
5	22134W	2	Panel, front lower side	
--	22140	2	Assembly, front lower panel	Items 4 - 5 & 8 - 9
6	22182	1	Foam, rear lower side panel	
7	22137W	1	Panel, rear lower side	
--	22143	1	Assembly, rear lower panel	Items 6 - 9
8	20916Z	2	Bracket, prop rod	
9	60268	4	Rivet, .188 dia. x .126 to .250 grip, SS	

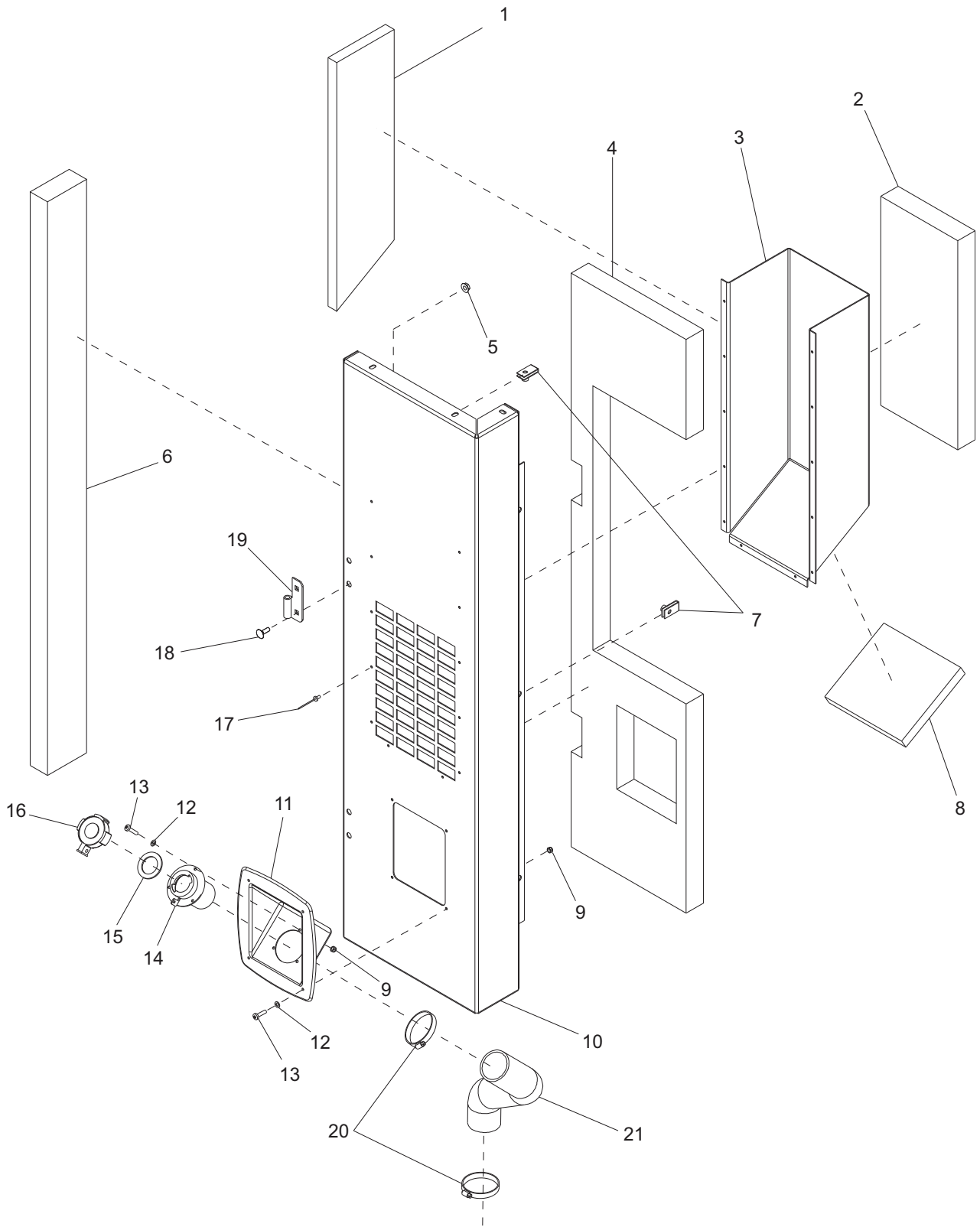
UPPER SIDE PANEL ASSEMBLY



UPPER SIDE PANEL ASSEMBLY

ITEM	PART NO.	QTY	DESCRIPTION	NOTES
1	22135W	1	Panel, left rear upper	
2	22181	2	Foam, rear upper	
--	22141	1	Assembly, rear/left upper panel	Items 1 - 2 & 6
3	22133W	2	Panel, front upper	
4	22179	2	Foam, front upper	
--	22139	2	Assembly, front upper panel	Items 3 - 4 & 6
5	22136W	1	Panel, control box upper	
--	22142	1	Assembly, rear/right upper panel	Items 2 & 5 - 6
6	60505	10	Nut, .312-18 U-clip - long type	

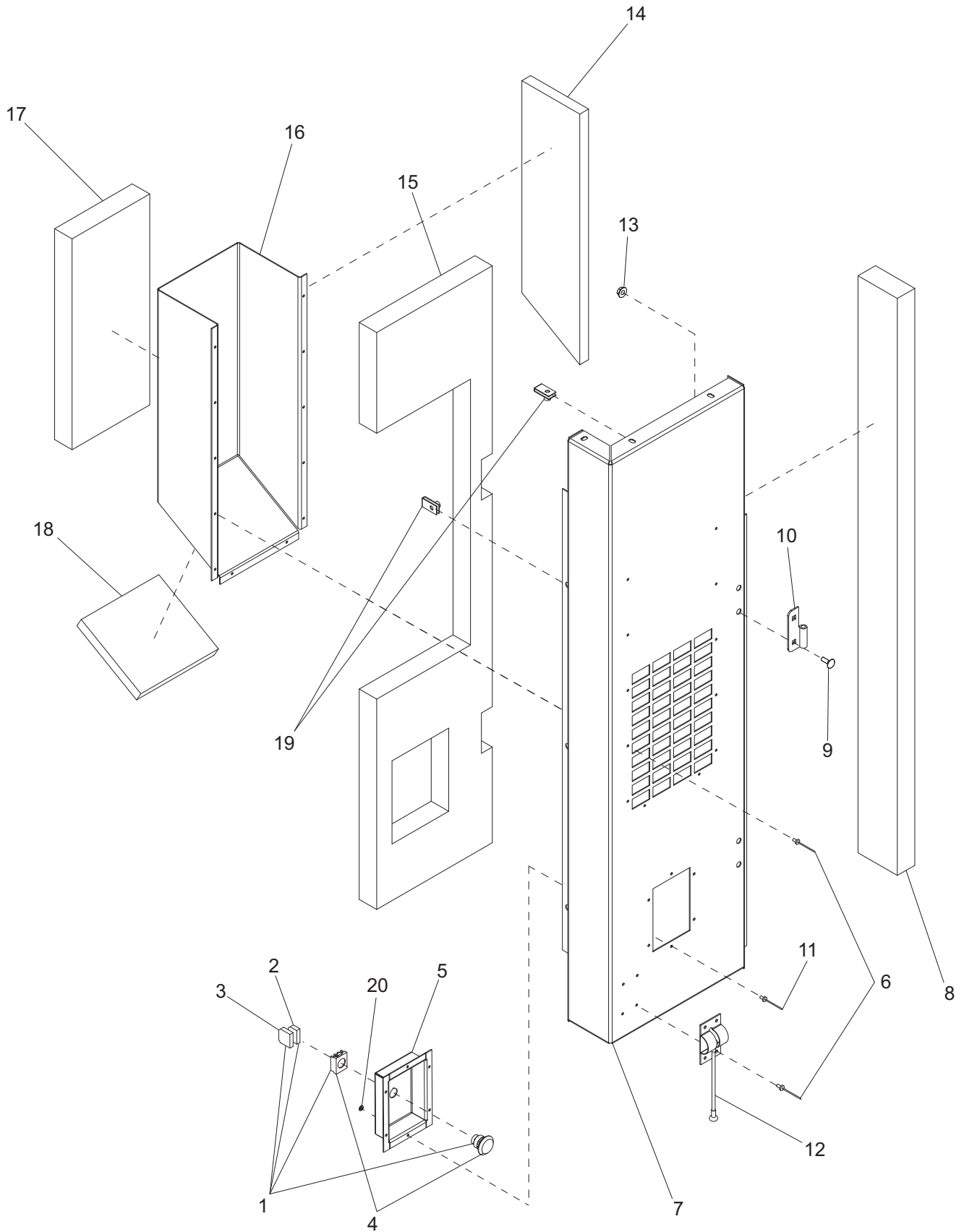
LEFT REAR CORNER ASSEMBLY



LEFT REAR CORNER ASSEMBLY

ITEM	PART NO.	QTY	DESCRIPTION	NOTES
1	21970	1	Foam, small duct - right	
2	21968	1	Foam, small duct - face	
3	21871W	1	Duct, side air	
4	22176	1	Foam, left rear corner	
5	60095	4	Nut, .312-18 sflg	
6	21963	1	Foam, common corner	
7	60505	6	Nut, .312-18 U-clip - long type	
8	21969	1	Foam, small duct - lower	
9	60530	7	Nut, 10-24 nylock, SS	
10	22062W	1	Panel, left rear	
11	18506	1	Port, fuel fill	
12	60067	7	Washer, #10 flat .435/.060, SS	
13	60529	7	Screw, 10-24 x .625 pan phil, SS	
14	18666B	1	Weldment, filler tube & flange	
15	19238	1	Gasket, fuel fill	
16	18648	1	Cap, fuel fill w/gasket	
17	60268	12	Rivet, .188 dia. x .125 to .250 grip, SS	
18	61066	4	Screw, .312-18 x 1.0 carr sqr, SS	
19	18460	2	Hinge, left (female)	
20	19336	2	Clamp, hose - SAE 044 (2.31-3.25)	
21	18301	1	Hose, fuel fill	
--	22086	1	Assembly, left rear corner	Items 1 - 21

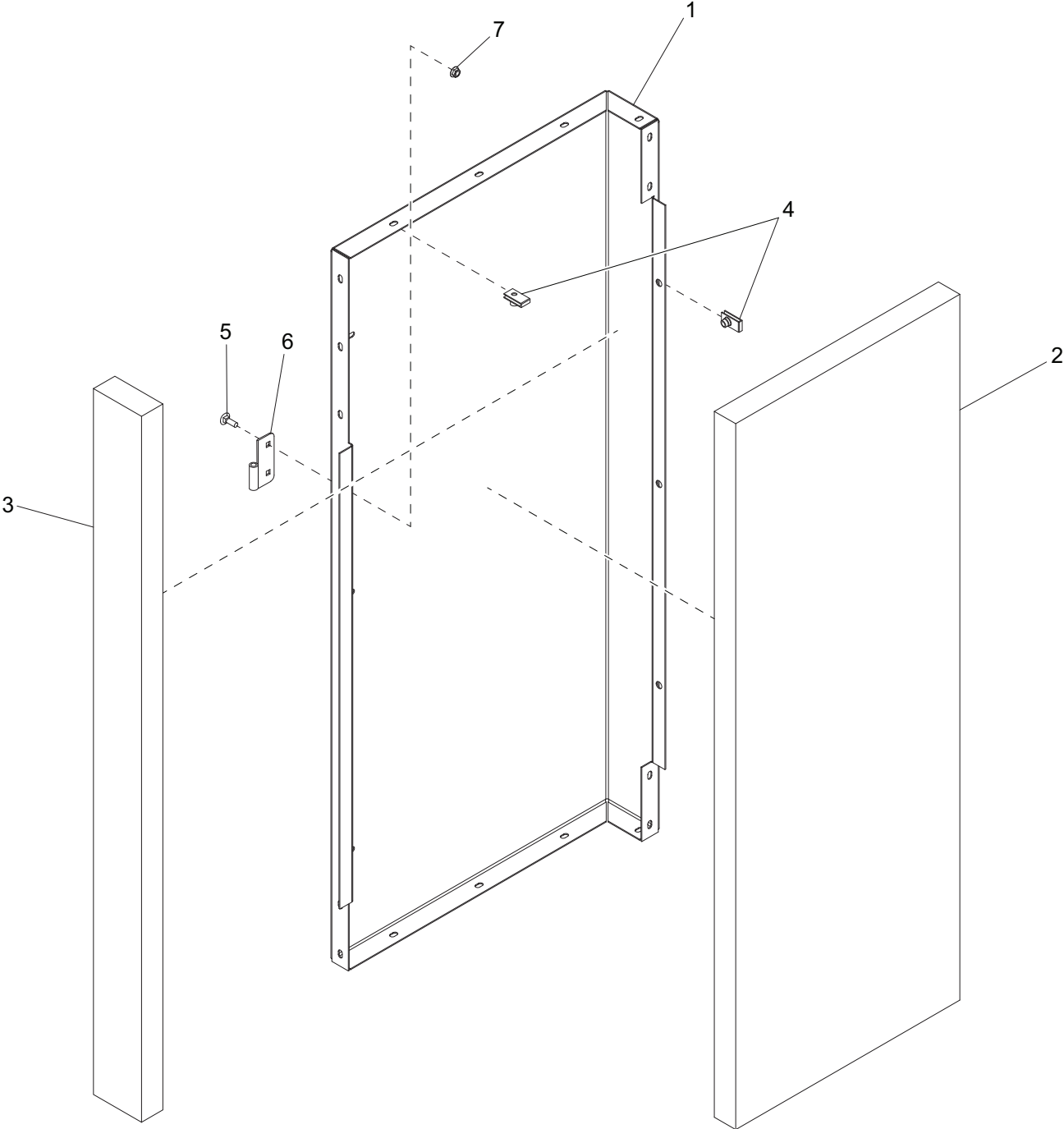
RIGHT REAR CORNER ASSEMBLY



RIGHT REAR CORNER ASSEMBLY

ITEM	PART NO.	QTY	DESCRIPTION	NOTES
1	22550	1	Assembly, emergency stop switch 2 NO/1 NC	Items 2 - 4
2	65580	1	Block, emergency stop contactor NC	
3	65584	1	Block, emergency stop contactor NO/NO	
4	65470	1	Switch, emergency stop operator	
5	30645	1	Panel, emergency stop	
6	60268	12	Rivet, .188 dia. x .126 to .250 grip, SS	
7	22063W	1	Panel, right rear	
8	21963	1	Foam, common corner	
9	61066	4	Screw, .312-18 x 1.0 carr sqr, SS	
10	18462	2	Hinge, right (female)	
11	60260	6	Rivet, .188 dia. x .375 to .500 grip, SS	
12	62225	1	Latch, door - stainless cable w/ball	
13	60095	4	Nut, .312-18 sflg	
14	21971	1	Foam, duct - left	
15	22177	1	Foam, rear right corner	
16	21871W	1	Duct, side	
17	21968	1	Foam, duct - face	
18	21969	1	Foam, duct - lower	
19	60505	6	Nut, .312-18 U-clip - long type	
20	60067	6	Washer, #10 flat .435/.060, SS	
--	22087	1	Assembly, right rear corner	Items 5 - 20

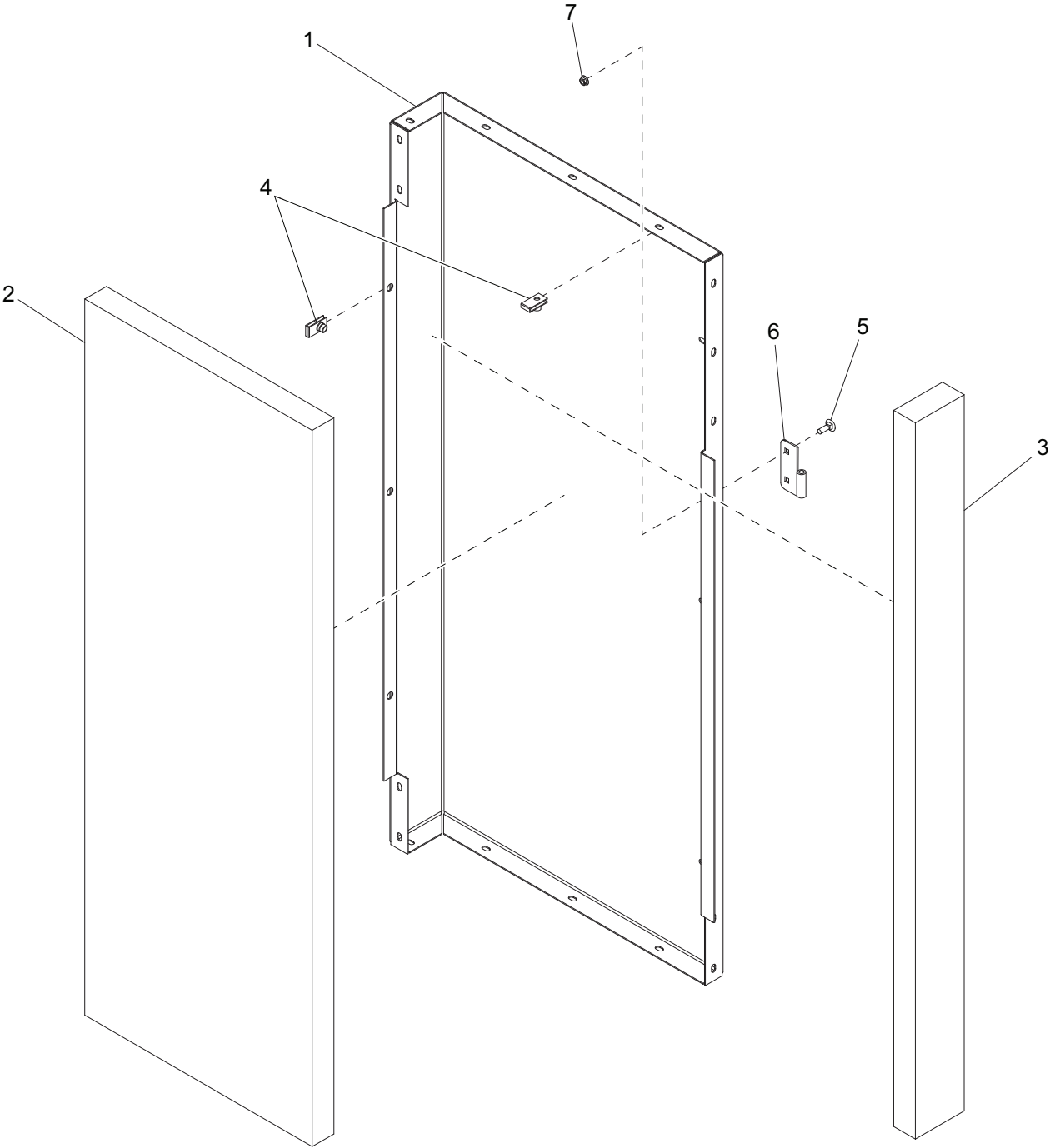
LEFT FRONT CORNER ASSEMBLY



LEFT FRONT CORNER ASSEMBLY

ITEM	PART NO.	QTY	DESCRIPTION	NOTES
1	22052W	1	Panel, left front	
2	21956	1	Foam, left front	
3	21963	1	Foam, common corner	
4	60505	7	Nut, .312-18 U-clip - long type	
5	61066	4	Screw, .312-18 x 1.0 carr sqr, SS	
6	18462	2	Hinge, right (female)	
7	60095	4	Nut, .312-18 sflg	
--	22080	1	Assembly, left front corner	Items 1 - 7

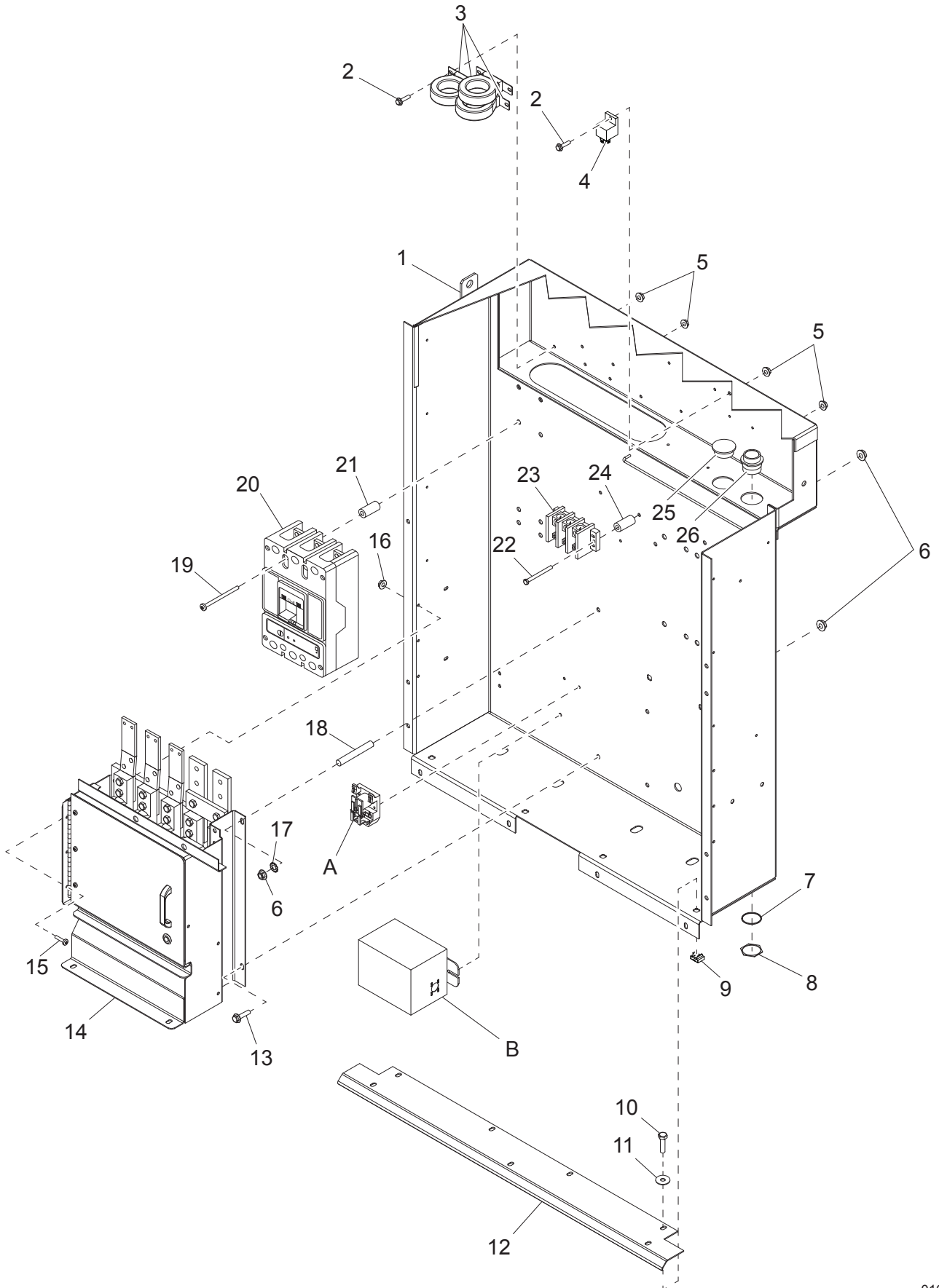
RIGHT FRONT CORNER ASSEMBLY



RIGHT FRONT CORNER ASSEMBLY

ITEM	PART NO.	QTY	DESCRIPTION	NOTES
1	22053W	1	Panel, front right	
2	21956	1	Foam, front right	
3	21963	1	Foam, corner	
4	60505	7	Nut, U-clip, .312-18	
5	61066	4	Screw, .312-18 x 1.0 carr sqr, SS	
6	18460	2	Hinge, left (female)	
7	60095	4	Nut, .312-18 sflg	
--	22079	1	Assembly, right front corner	Items 1 - 7

CONTROL BOX ASSEMBLY (1 OF 2) - MMG120, MMG120CAN



01661

CONTROL BOX ASSEMBLY (1 OF 2) - MMG120, MMG120CAN

ITEM	PART NO.	QTY	DESCRIPTION	NOTES
1	28653B	1	Weldment, control box	
2	60175	7	Screw, .250-20 x .500 sflg hex, G5	
3	65443	3	Transformer, current - wire leads (500:5A)	
4	66455	1	Relay, 12V 70A NC/80A NO w/diode	
5	60161	13	Nut, .250-20 sflg, G5	
6	60020	3	Nut, M8-1.25 sflg lock	
7	65417	1	Washer, lock, 21-pin Deutsch	
8	65416	1	Nut, Deutsch 21-pin plug	
9	15425	4	Nut, .312-18 cage	
10	60507	4	Screw, .312-18 x 1.0 std hex, SS	
11	60452	4	Washer, .313 flat 1.125/1.0 bonded rubber, SS	
12	28582B	1	Panel, cable guard	
13	60009	1	Screw, M8-1.25 x 25 sflg hex, G8.8	
14	<i>Page 58</i>	1	Assembly, lug box	
15	60398	3	Screw, 10-32 x .500 pan phil, SS	
16	61045	3	Nut, 10-32 sflg	
17	60069	1	Washer, M8 ext star	
18	18992	1	Stud, ground - M8 x 1.25 x 100 mm	
19	61117	4	Screw, .250-20 x 4.50 pan phil, G2	
20	65352	1	Breaker, 450A, 3 pole, 12-24V	
21	28580B	4	Spacer, breaker - 2.625 in. long	
22	60259	2	Screw, .250-20 x 2.50 std hex, G5	
23	65356	1	Block, terminal - 3 pole, bussman	
24	28581B	2	Spacer, breaker - 1.5 in. long	
25	66044	1	Plug, Deutsch connector hole	
26	65309	1	Connector, Deutsch - 21 pos. receptacle	
--	66456	1	Connector, 70A relay	

OPTIONAL FEATURES

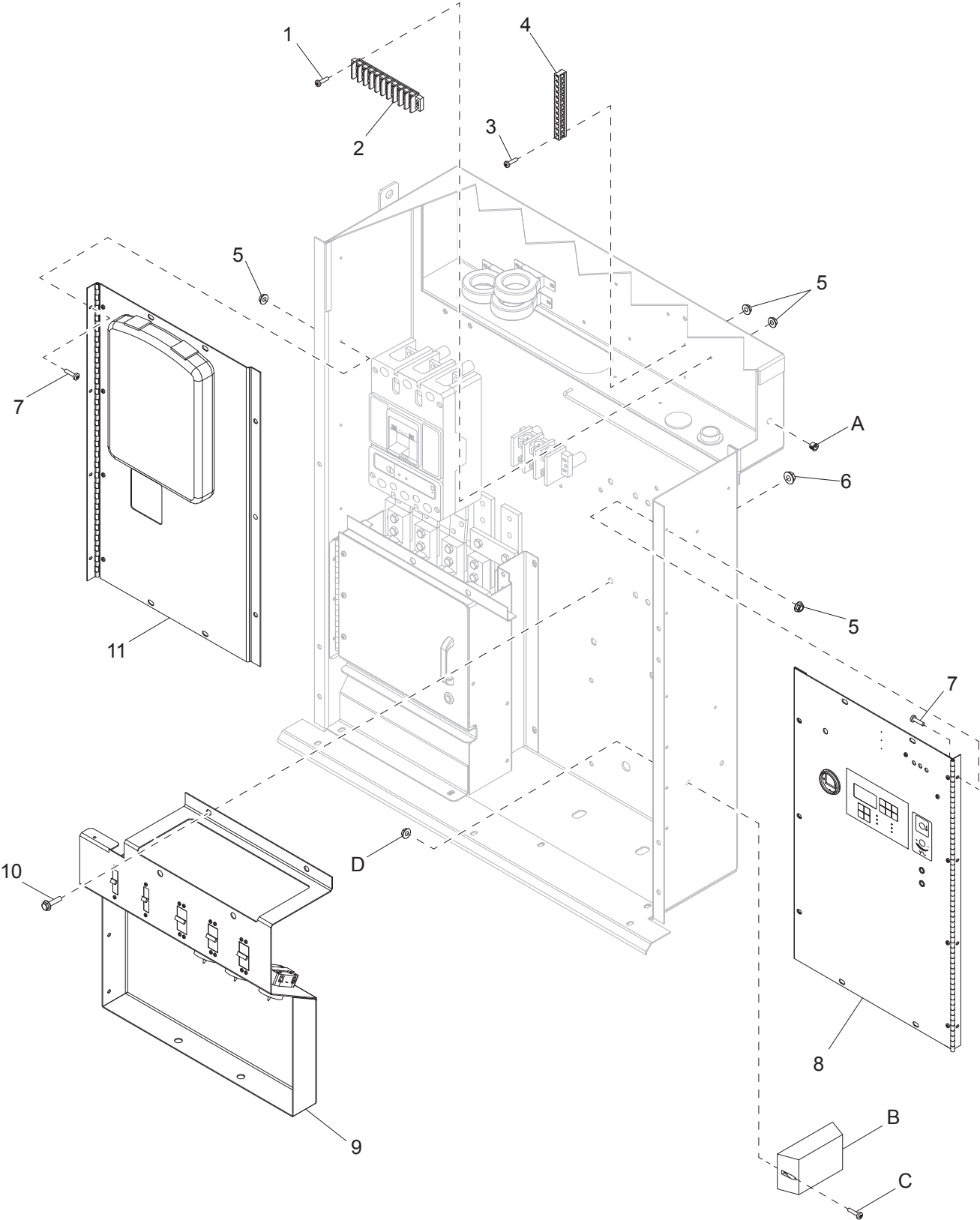
Buck Transformer:

A	65461	1	Relay, 30A DPDT 120VAC
B	21487	1	Transformer, 1.13:1 1-phase 500VA
--	66340	1	Relay, voltage sensing
--	65644	1	Base, relay - 8 pos
--	60396	2	Screw, 10-32 x 1.250 pan phil, G2
--	60061	2	Nut, 10-32 nylock
--	67081	1	Wire group - buck transformer

4 Position Phase Switch:

--	65644	1	Base, relay - 8 pos
--	65659	1	Relay, DPDT, 12VDC, 8 pos

CONTROL BOX ASSEMBLY (2 OF 2) - MMG120, MMG120CAN



01662

CONTROL BOX ASSEMBLY (2 OF 2) - MMG120, MMG120CAN

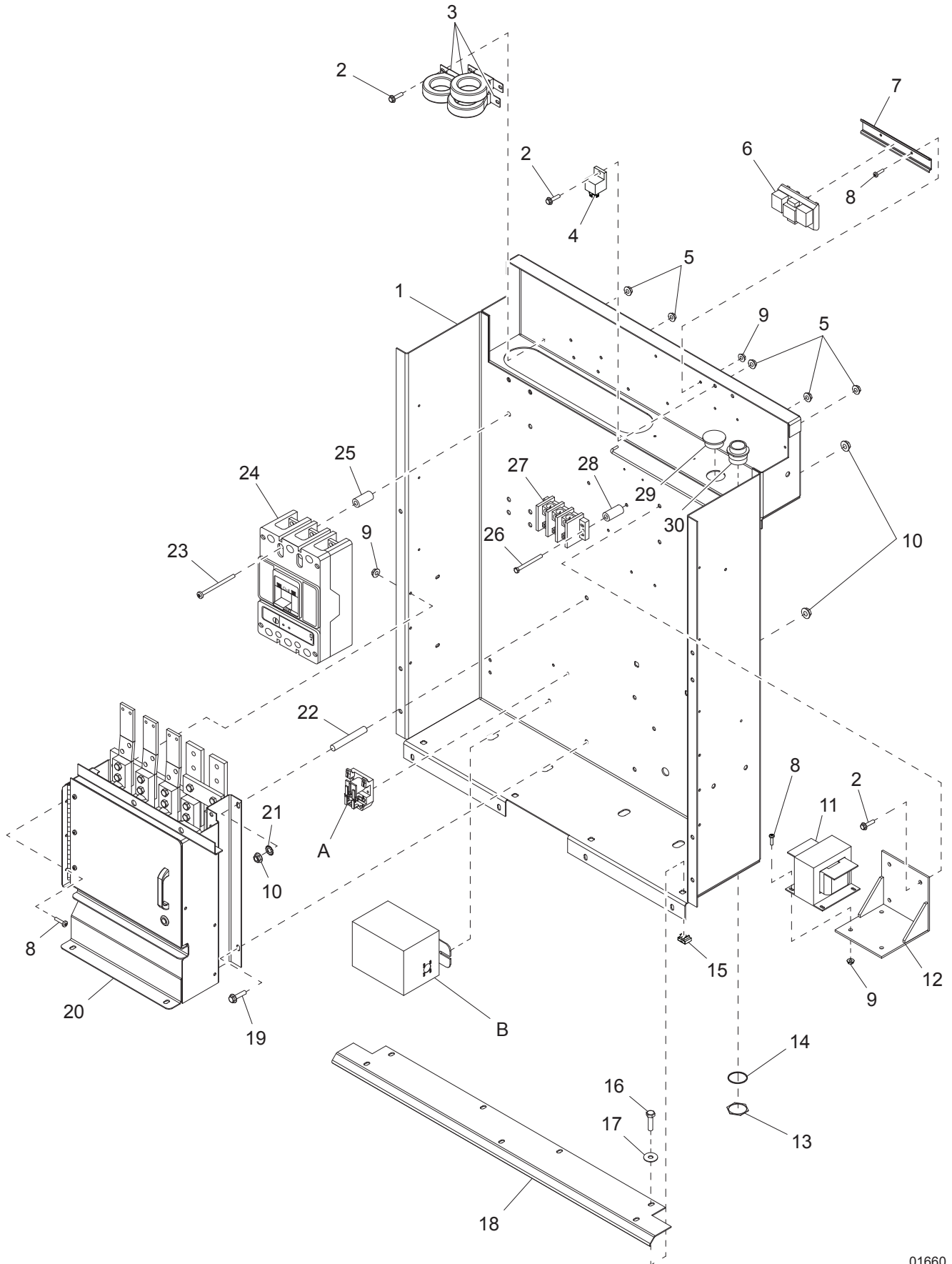
ITEM	PART NO.	QTY	DESCRIPTION	NOTES
1	60062	4	Screw, 10-32 x .750 pan phil, G2	
2	14203	1	Block, terminal - 10 pos	
3	60406	2	Screw, 8-32 x 1.00 pan phil G2	
4	14204	1	Kit, ground bar	
5	61045	12	Nut, 10-32 sflg	
6	60020	2	Nut, M8-1.25 sflg, G8.8	
7	60398	8	Screw, 10-32 x .500 pan phil, SS	
8	Page 54	1	Assembly, right control panel	
9	Page 64	1	Assembly, outlet panel	
10	60009	2	Screw, M8-1.25 x 25 sflg hex, G8.8	
11	Page 52	1	Assembly, left control panel	
--	66115	1	Wire group - control box	
--	60622	1	Wire group - L0 & ground box	

OPTIONAL FEATURES

Battery Charger:

A	19163	1	Fitting, bushing - .500 OD x .375 ID
B	65326	1	Charger, battery - 2A, 3 stage, 1 output
C	60062	2	Screw, 10-32 x .750 pan phil, G2
D	61045	2	Nut, 10-32 sflg

CONTROL BOX ASSEMBLY (1 OF 2) - MMG120CAN6



01660

CONTROL BOX ASSEMBLY (1 OF 2) - MMG120CAN6

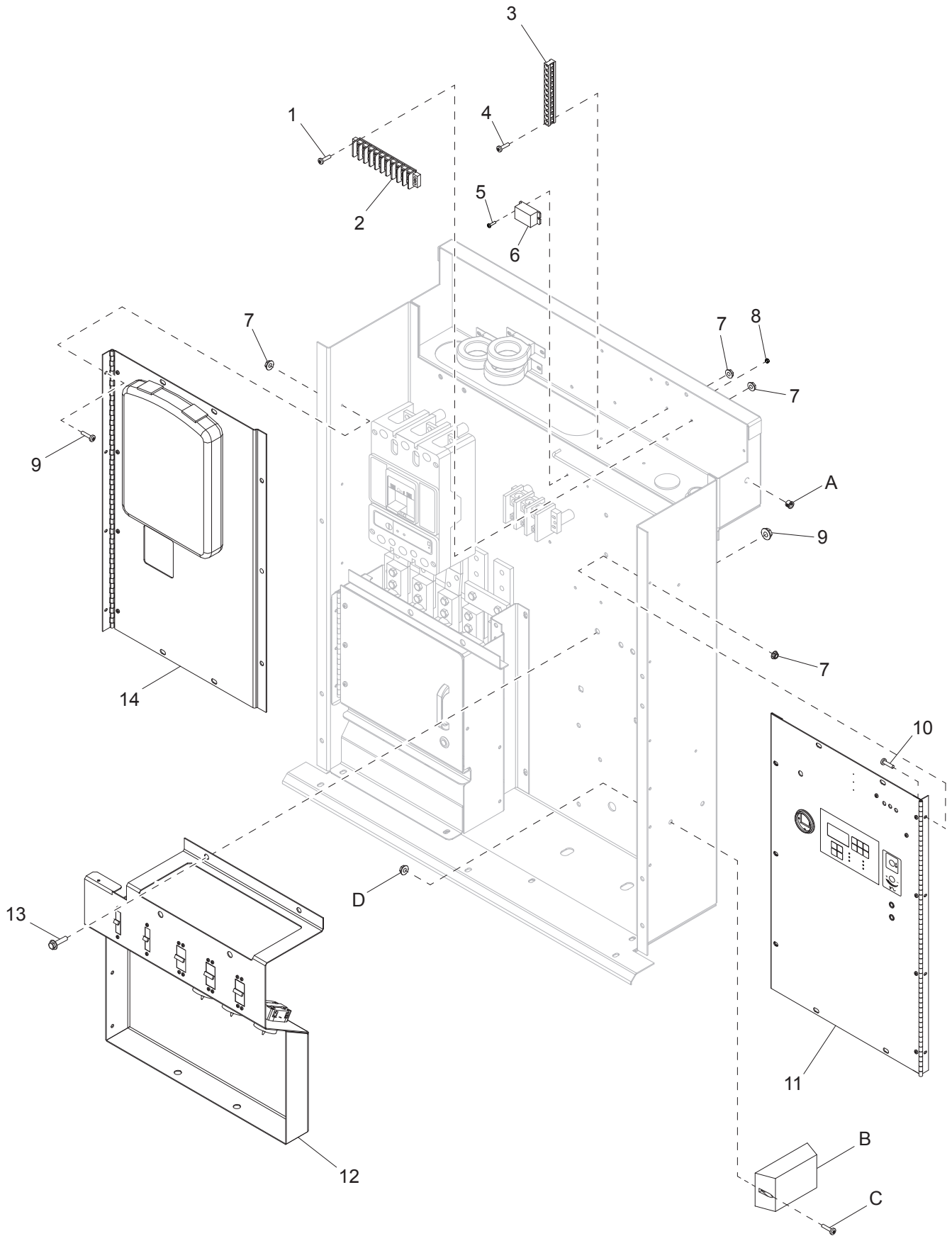
ITEM	PART NO.	QTY	DESCRIPTION	NOTES
1	28653B	1	Weldment, control box	
2	60175	11	Screw, .250-20 x .500 sflg hex, G5	
3	65443	3	Transformer, current - wire leads (500:5A)	
4	66455	1	Relay, 12V 70A NC/80A NO w/diode	
5	60161	17	Nut, .250-20 sflg, G5	
6	66864	1	Assembly, transformer board - step down 2:1	
7	67129	1	Rail, din - 35 mm x 7.0	
8	60398	9	Screw, 10-32 x .500 pan phil, SS	
9	61045	9	Nut, 10-32 sflg	
10	60020	3	Nut, M8-1.25 sflg lock	
11	66109	1	Transformer, 600V dedicated gen	
12	34454B	1	Bracket, transformer - 600V	
13	65416	1	Nut, Deutsch 21-pin plug	
14	65417	1	Washer, lock, 21-pin Deutsch	
15	15425	4	Nut, .312-18 cage	
16	60507	4	Screw, .312-18 x 1.0 std hex, SS	
17	60452	4	Washer, .313 flat 1.125/1.0 bonded rubber, SS	
18	28582B	1	Panel, cable guard	
19	60009	3	Screw, M8-1.25 x 25 sflg hex, G8.8	
20	Page 58	1	Assembly, lug box	
21	60069	1	Washer, M8 ext star	
22	18992	1	Stud, ground - M8 x 1.25 x 100 mm	
23	61117	4	Screw, .250-20 x 4.50 pan phil, G2	
24	65352	1	Breaker, 450A, 3 pole, 12-24V	
25	28580B	4	Spacer, breaker - 2.625 in. long	
26	60259	2	Screw, .250-20 x 2.50 std hex, G5	
27	65356	1	Block, terminal - 3 pole, Bussman	
28	28581B	2	Spacer, breaker - 1.5 in. long	
29	66044	1	Plug, Deutsch connector hole	
30	65309	1	Connector, Deutsch - 21 pos. receptacle	

OPTIONAL FEATURES

Buck Transformer:

A	65461	1	Relay, 30A DPDT 120VAC
B	21487	1	Transformer, 1.13:1 1-phase 500VA
--	66340	1	Relay, voltage sensing
--	65644	1	Base, relay - 8 pos
--	60396	2	Screw, 10-32 x 1.25 pan phil, G2
--	60061	2	Nut, 10-32 nylock
--	67081	1	Wire group - buck transformer

CONTROL BOX ASSEMBLY (2 OF 2) - MMG120CAN6



01665

CONTROL BOX ASSEMBLY (2 OF 2) - MMG120CAN6

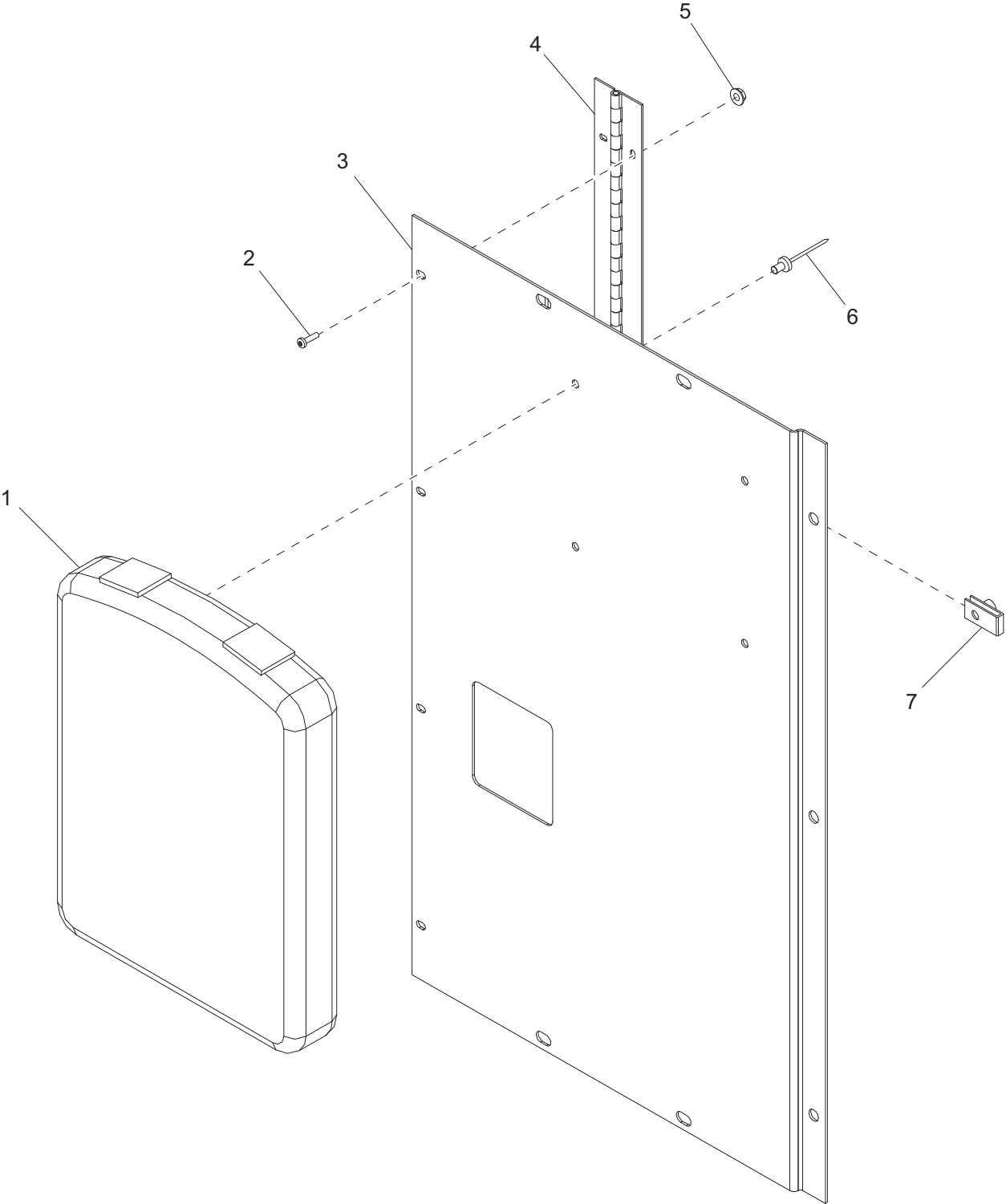
ITEM	PART NO.	QTY	DESCRIPTION	NOTES
1	60062	2	Screw, 10-32 x .750 pan phil, G2	
2	14203	1	Block, terminal - 10 pos	
3	14204	1	Kit, ground bar	
4	60406	2	Screw, 8-32 x 1.00 pan phil G2	
5	60526	2	Screw, 8-32 x .500 pan phil, G2	
6	67851	1	Relay, 30A/3A DPDT high voltage, 12VDC coil	
7	61045	12	Nut, 10-32 sflg	
8	60318	2	Nut, 8-32 hex, G5	
9	60020	2	Nut, M8-1.25 sflg, G8.8	
10	60398	8	Screw, 10-32 x .500 pan phil, SS	
11	Page 54	1	Assembly, right control panel	
12	Page 66	1	Assembly, outlet panel	
13	60009	2	Screw, M8-1.25 x 25 sflg hex, G8.8	
14	Page 52	1	Assembly, left control panel	
--	67854	1	Wire group - control box	

OPTIONAL FEATURES

Battery Charger:

A	19163	1	Fitting, bushing - .500 OD x .375 ID
B	65326	1	Charger, battery - 2A, 3 stage, 1 output
C	60062	2	Screw, 10-32 x .750 pan phil, G2
D	61045	2	Nut, 10-32 sflg

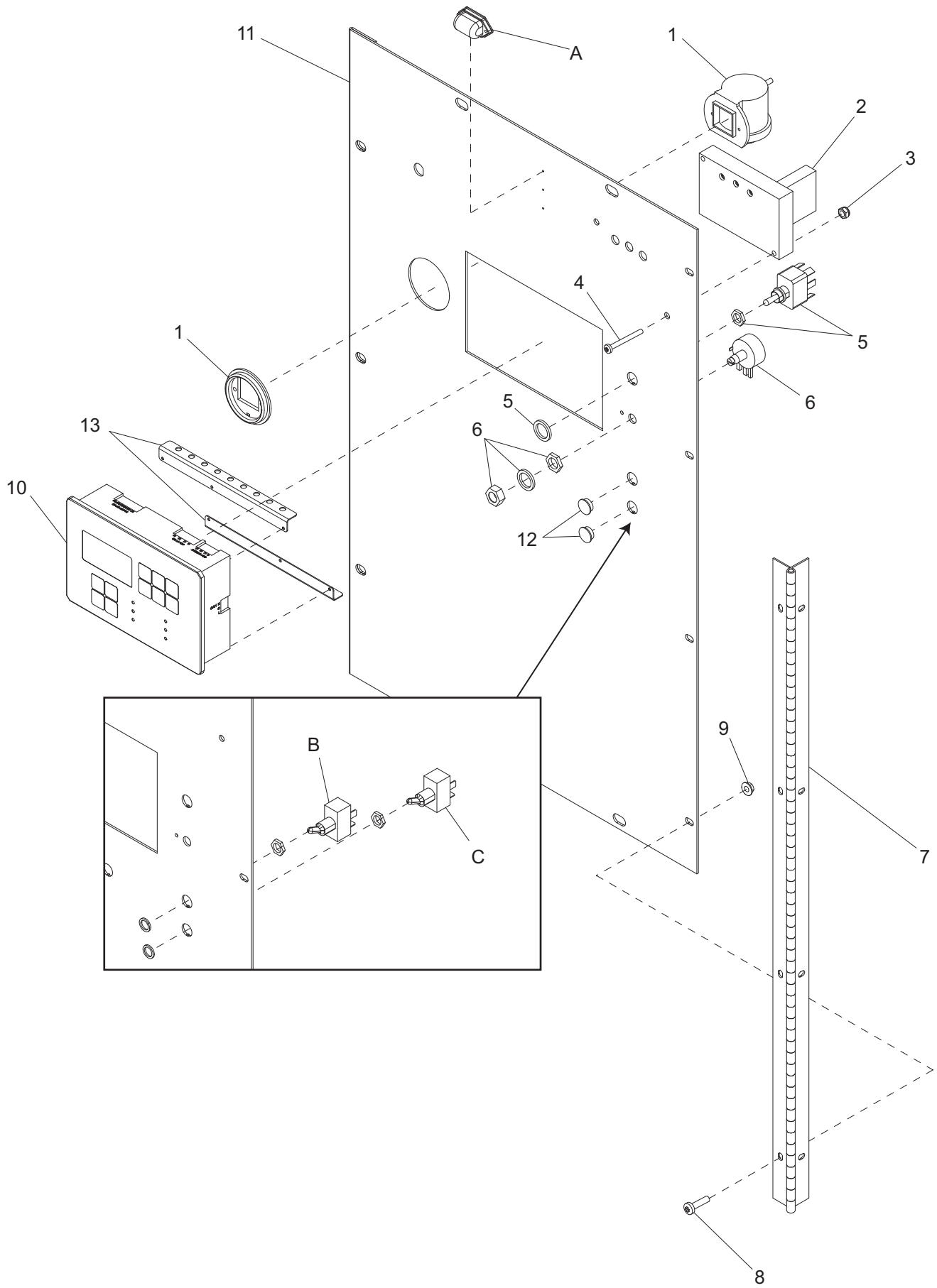
LEFT CONTROL PANEL ASSEMBLY



LEFT CONTROL PANEL ASSEMBLY

ITEM	PART NO.	QTY	DESCRIPTION	NOTES
1	24540	1	Holder, manual	
2	60398	8	Screw, 10-32 x .500 pan phil	
3	28564W	1	Panel, control - left	
4	22208	1	Hinge, control panel - 28.0 in	
5	61045	8	Nut, 10-32 sflg	
6	60231	3	Rivet, .188 dia. x .375 to .500 grip, SS	
7	60505	3	Nut, .312-18 U-clip - long type	

RIGHT CONTROL PANEL ASSEMBLY



RIGHT CONTROL PANEL ASSEMBLY

ITEM	PART NO.	QTY	DESCRIPTION	NOTES
1	18609	1	Kit, filter minder gauge	
2	10519	1	Regulator, voltage - SE 350	
3	60061	2	Nut, 10-32 nylock	
4	60397	2	Screw, 10-32 x 1.0 pan phil, G2	
5	25077	1	Switch, toggle - SPST 20A VAC	
6	26229	1	Kit, voltage adjustment potentiometer	With wire & connectors
--	18934	1	Decal, potentiometer guard	
7	22208	1	Hinge, control panel - 28.0 in	
8	60398	4	Screw, 10-32 x .500 pan phil, SS	
9	61045	4	Nut, 10-32 sflg	
10	66511	1	Controller, eng/gen - programmed	For MMG120 & MMG120CAN
	67102	1	Controller, eng/gen - programmed, 600V	For MMG120CAN6
11	28634W	1	Panel, digital control	
12	60749	2	Plug, hole .500 dia. - white	
13	29893	2	Bracket, control board wire guide	

OPTIONAL FEATURES

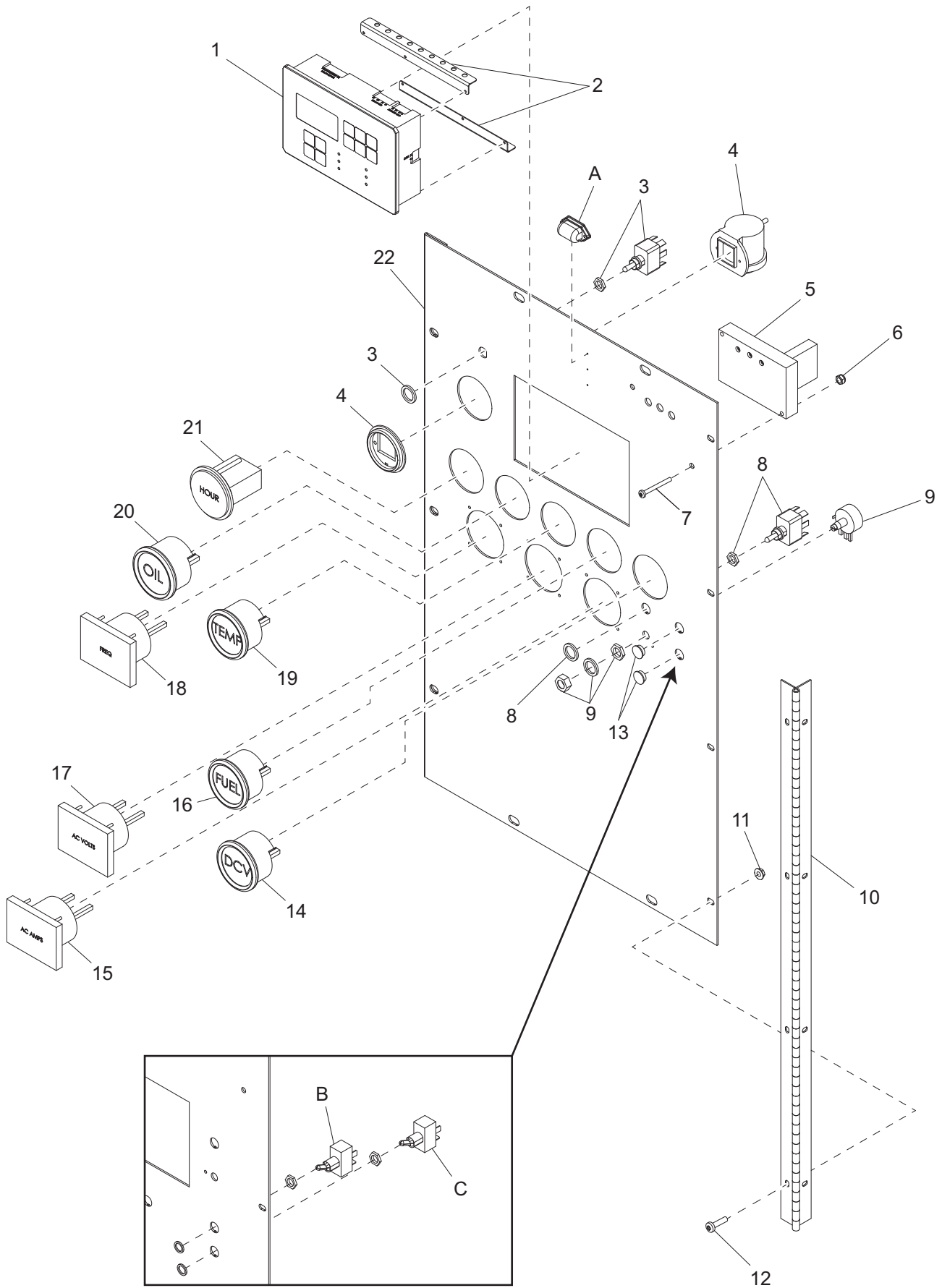
Control Panel Light:

A	23025	1	Light, interior control panel
B	25077	1	Switch, toggle - SPST 20A VAC
--	67042	1	Wire group - control panel light

Interior Light:

C	25077	1	Switch, toggle - SPST 20A VAC
---	-------	---	-------------------------------

RIGHT CONTROL PANEL ASSEMBLY - ANALOG GAUGES - MMG120, MMG120CAN



RIGHT CONTROL PANEL ASSEMBLY - ANALOG GAUGES - MMG120, MMG120CAN

ITEM	PART NO.	QTY	DESCRIPTION	NOTES
1	66511	1	Controller, eng/gen - programmed	
2	29893	2	Bracket, control board wire guide	
3	65632	1	Switch, toggle - DPDT (on-off-on)	
4	18609	1	Kit, filter minder gauge	
5	10519	1	Regulator, voltage - SE 350	
6	60061	2	Nut, 10-32 nylock	
7	60397	2	Screw, 10-32 x 1.0 pan phil, G2	
8	25077	1	Switch, toggle - SPST 20A VAC	
9	26229	1	Kit, voltage adjustment potentiometer	With wire & connectors
--	18934	1	Decal, potentiometer guard	
10	22208	1	Hinge, control panel - 28.0 in	
11	61045	4	Nut, 10-32 sflg	
12	60398	4	Screw, 10-32 x .500 pan phil, SS	
13	60749	2	Plug, hole .500 dia. - white	
14	65630	1	Gauge, voltmeter - DC w/light	
15	66226	1	Gauge, amp - 0-800	
16	65631	1	Gauge, fuel - electric w/light	
17	66229	1	Gauge, volt - 0-600	
18	65626	1	Gauge, frequency meter	
19	65629	1	Gauge, coolant temperature - w/light	
20	65628	1	Gauge, oil pressure - w/light	
21	15085	1	Gauge, hour meter	
22	27273W	1	Panel, digital/analog control	
--	66106	1	Board, analog driver	

OPTIONAL FEATURES

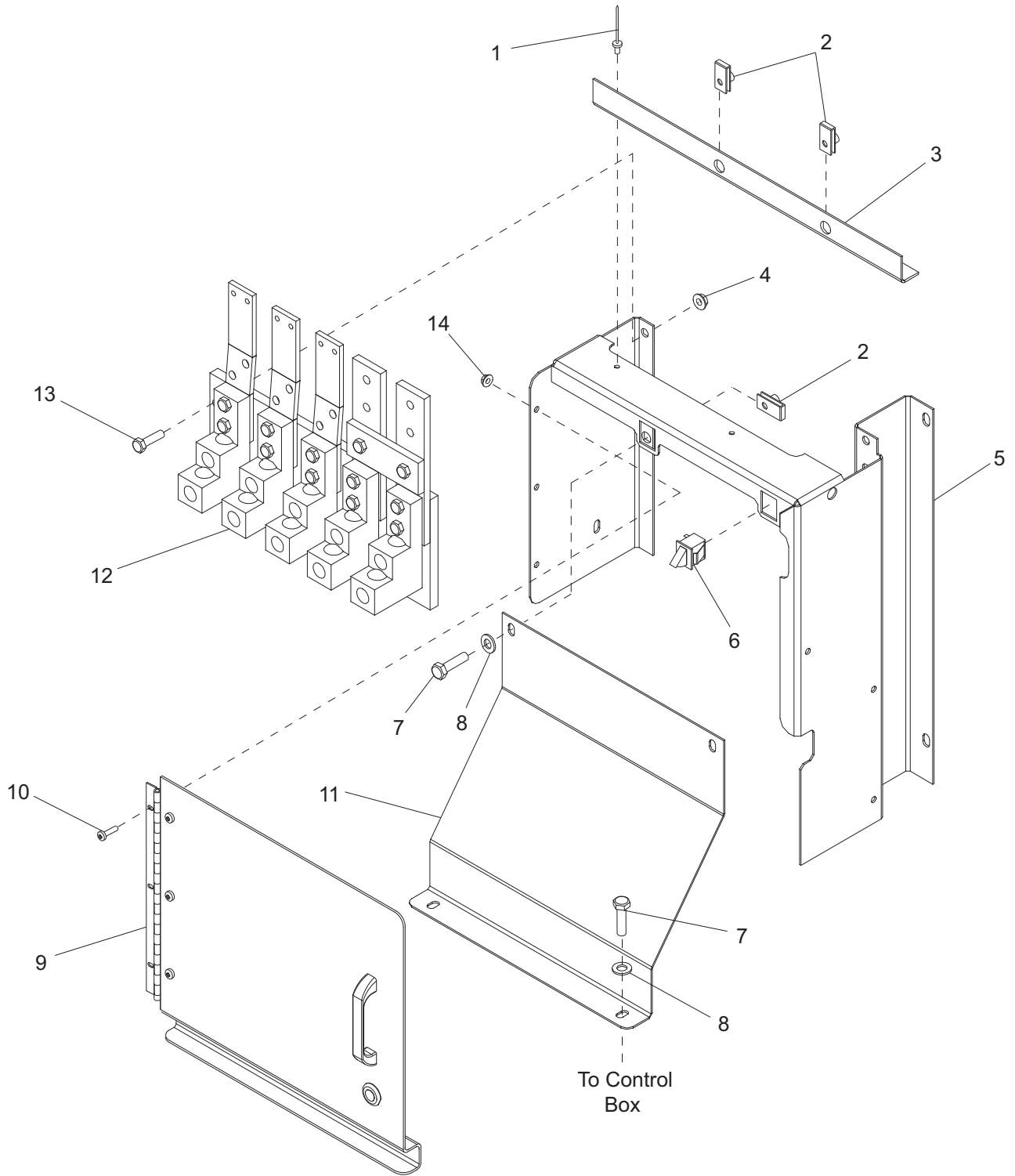
Control Panel Light:

A	23025	1	Light, interior control panel
B	25077	1	Switch, toggle - SPST 20A VAC
--	67042	1	Wire group - control panel light

Interior Light:

C	25077	1	Switch, toggle - SPST 20A VAC
---	-------	---	-------------------------------

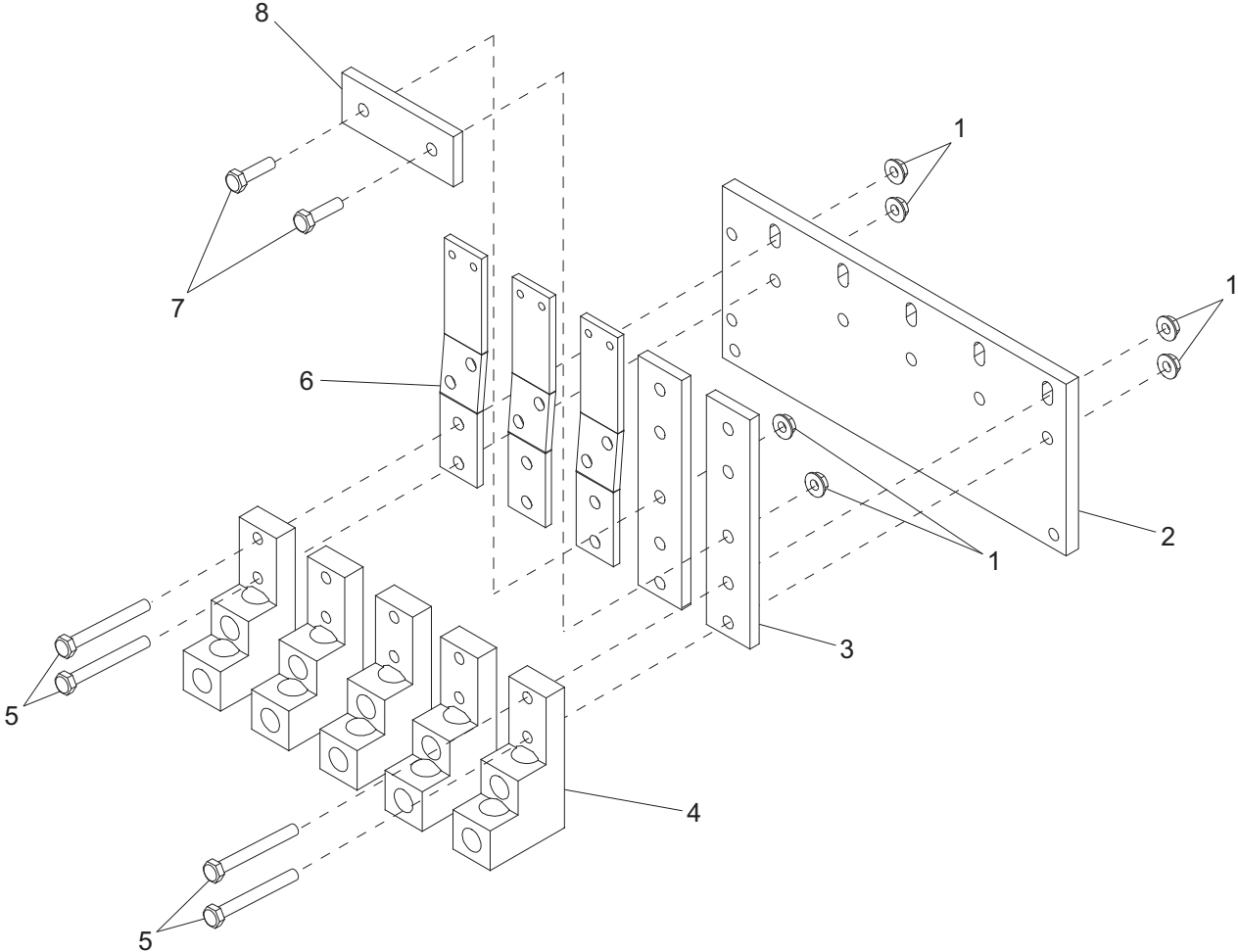
LUG BOX ASSEMBLY



LUG BOX ASSEMBLY

ITEM	PART NO.	QTY	DESCRIPTION	NOTES
1	60268	2	Rivet, .188 dia. x .126 to .250 grip, SS	
2	60505	4	Nut, .312-18 U-clip - long type	
3	28583W	1	Angle, top lug box	
4	60145	2	Nut, .375-16 sflg, G5	
5	28561W	1	Box, lug enclosure	
6	12632	2	Switch, trigger safety, NO & NC	
7	60507	2	Screw, .312-18 x 1.0 std hex, SS	
8	60452	2	Washer, .313 flat 1.125/1.0 bonded rubber, SS	
9	Page 62	1	Assembly, lug box door	
10	60398	3	Screw, 10-32 x .500 pan phil, SS	
11	28569W	1	Panel, lug box outlet	
12	Page 60	1	Assembly, lug plate	
13	60205	2	Screw, .375-16 x 1.0 std hex, G5	
14	61045	3	Nut, 10-32 sflg	

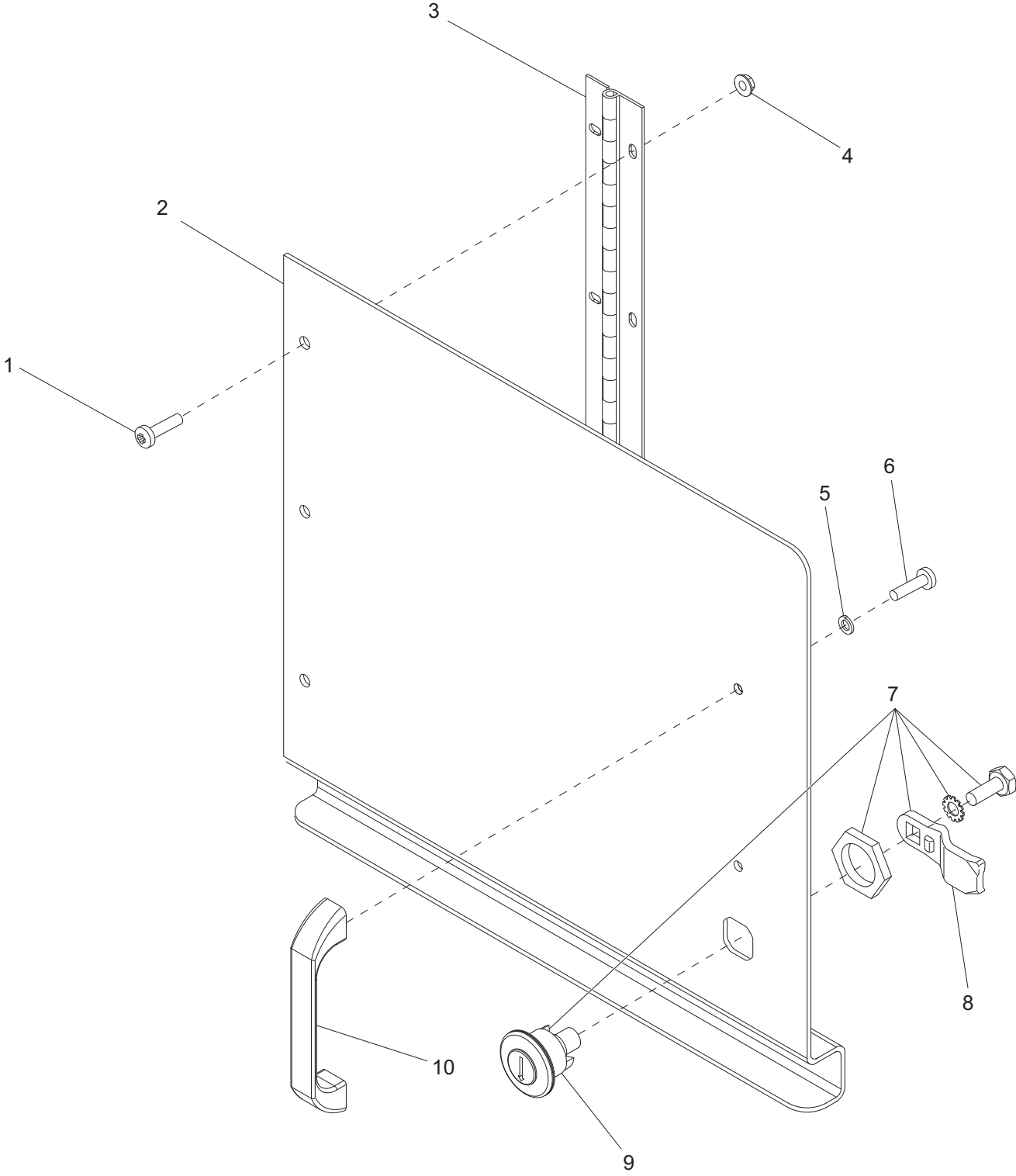
LUG PLATE ASSEMBLY



LUG PLATE ASSEMBLY

ITEM	PART NO.	QTY	DESCRIPTION	NOTES
1	60145	12	Nut, .375-16 sflg, G5	
2	27828	1	Panel, lug box glastic	
3	28584	2	Bus, lug extension	
4	65890	5	Lug, terminal dual - 2 hole stacked	
5	60478	10	Screw, .375-16 x 2.0 std hex, G5	
6	28594	3	Bus, main breaker out	
7	60205	2	Screw, .375-16 x 1.0 std hex, G5	
8	28585	1	Bus, grounding link	

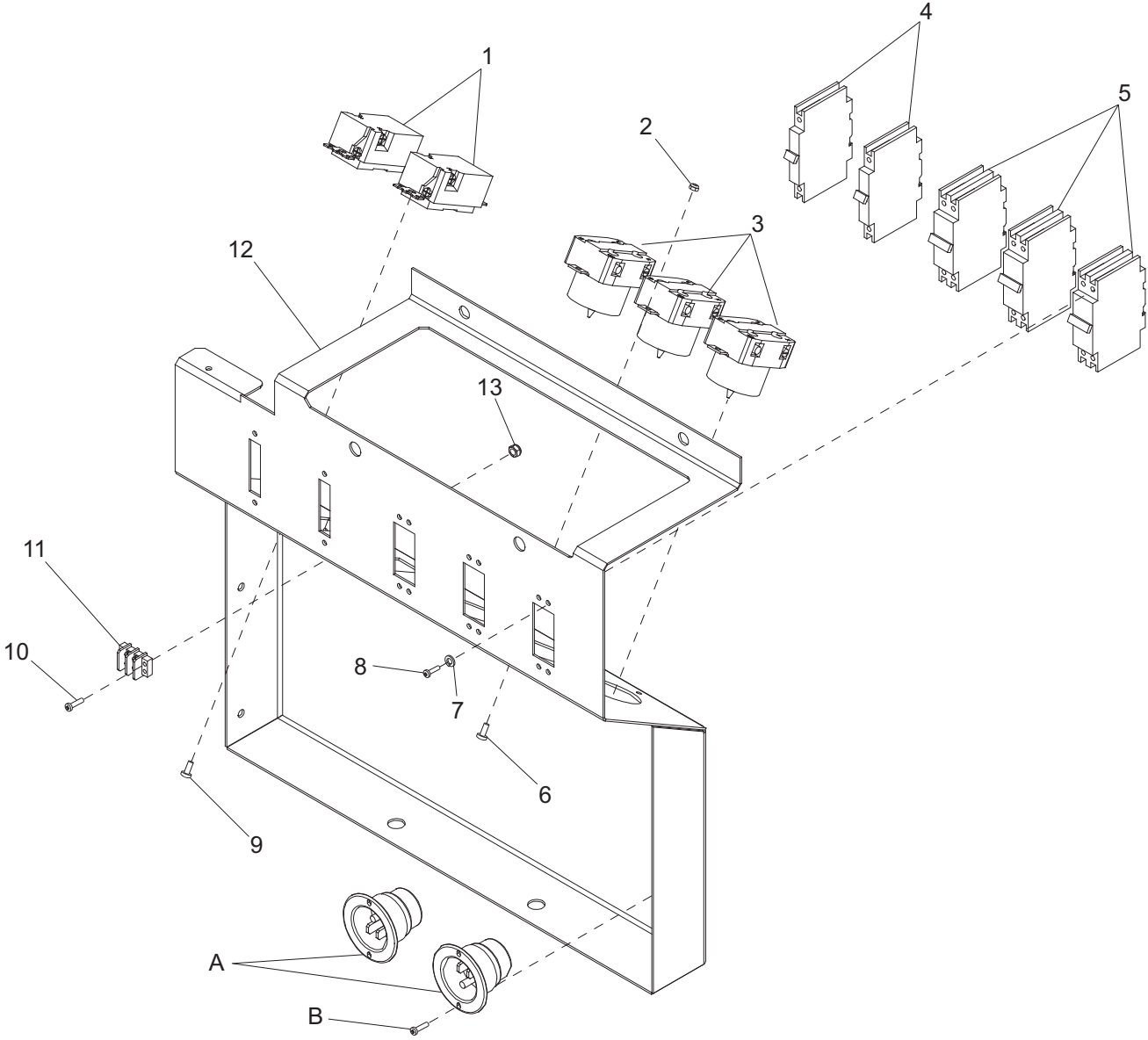
LUG BOX DOOR ASSEMBLY



LUG BOX DOOR ASSEMBLY

ITEM	PART NO.	QTY	DESCRIPTION	NOTES
1	60398	3	Screw, 10-32 x .500 pan phil, SS	
2	28570W	1	Panel, lug box door	
3	22018	1	Hinge, continuous - 10.25 in	
4	61045	3	Nut, 10-32 sflg	
5	60252	2	Washer, #10 split lock	
6	60068	2	Screw, 10-24 x .500 pan phil, G2	
7	12547	1	Assembly, cam lock, quarter turn	
8	12550	1	Cam lock lever leg	Items 8 - 9
9	12549	1	Cam lock cylinder	
10	18893	1	Handle, lug door	

OUTLET PANEL ASSEMBLY - MMG120



OUTLET PANEL ASSEMBLY - MMG120

ITEM	PART NO.	QTY	DESCRIPTION	NOTES
1	14130	2	Receptacle, 120V/20A GFI	
2	60457	6	Nut, 10-24 nylock, G2	
3	18089	3	Receptacle, 240V/50A twist-lock	
4	18091	2	Breaker, 20A/240V, 1-pole	
5	18092	3	Breaker, 50A/240V, 2-pole	
6	60068	6	Screw, 10-24 x .500 pan phil, G2	
7	60058	16	Washer, #6 split lock	
8	60046	16	Screw, 6-32 x .750 pan phil, G2	
9	60405	4	Screw, 6-32 x .250 pan phil, G2	
10	60526	2	Screw, 8-32 x .500 pan phil, G2	
11	18890	1	Block, terminal - 2 pos	
12	26355W	1	Panel, outlet	
13	60270	2	Nut, 8-32 nylock, class 6	
--	66300	1	Wire group, receptacle	

OPTIONAL FEATURES

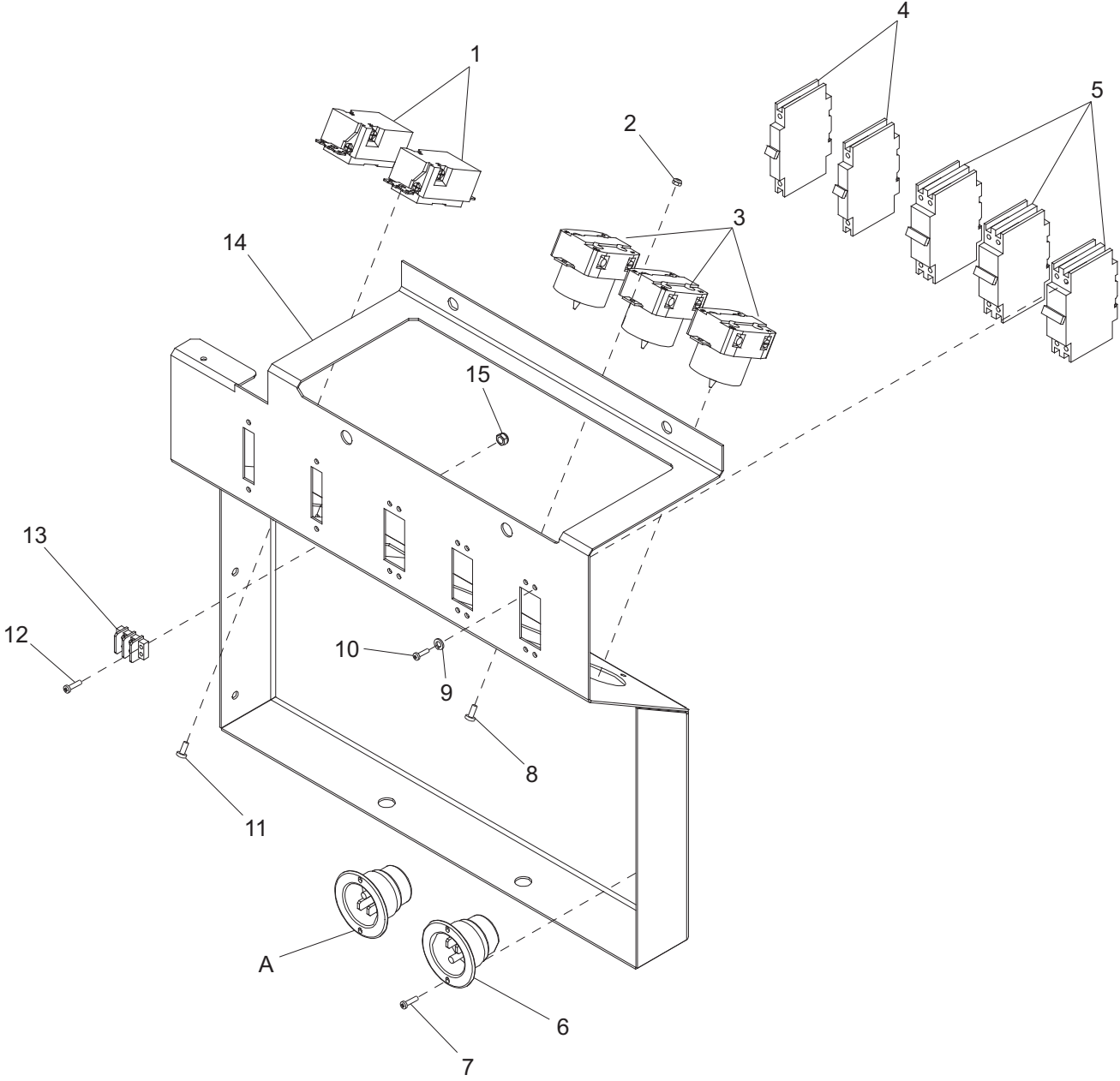
Battery Charger:

A	65285	1	Receptacle, 120V/15A inlet (Edison)
B	60364	2	Screw, 10-16 x .500 std hex, G2

Hotstart:

A	65285	1	Receptacle, 120V/15A inlet (Edison)
---	-------	---	-------------------------------------

OUTLET PANEL ASSEMBLY- MMG120CAN, MMG120CAN6



OUTLET PANEL ASSEMBLY - MMG120CAN, MMG120CAN6

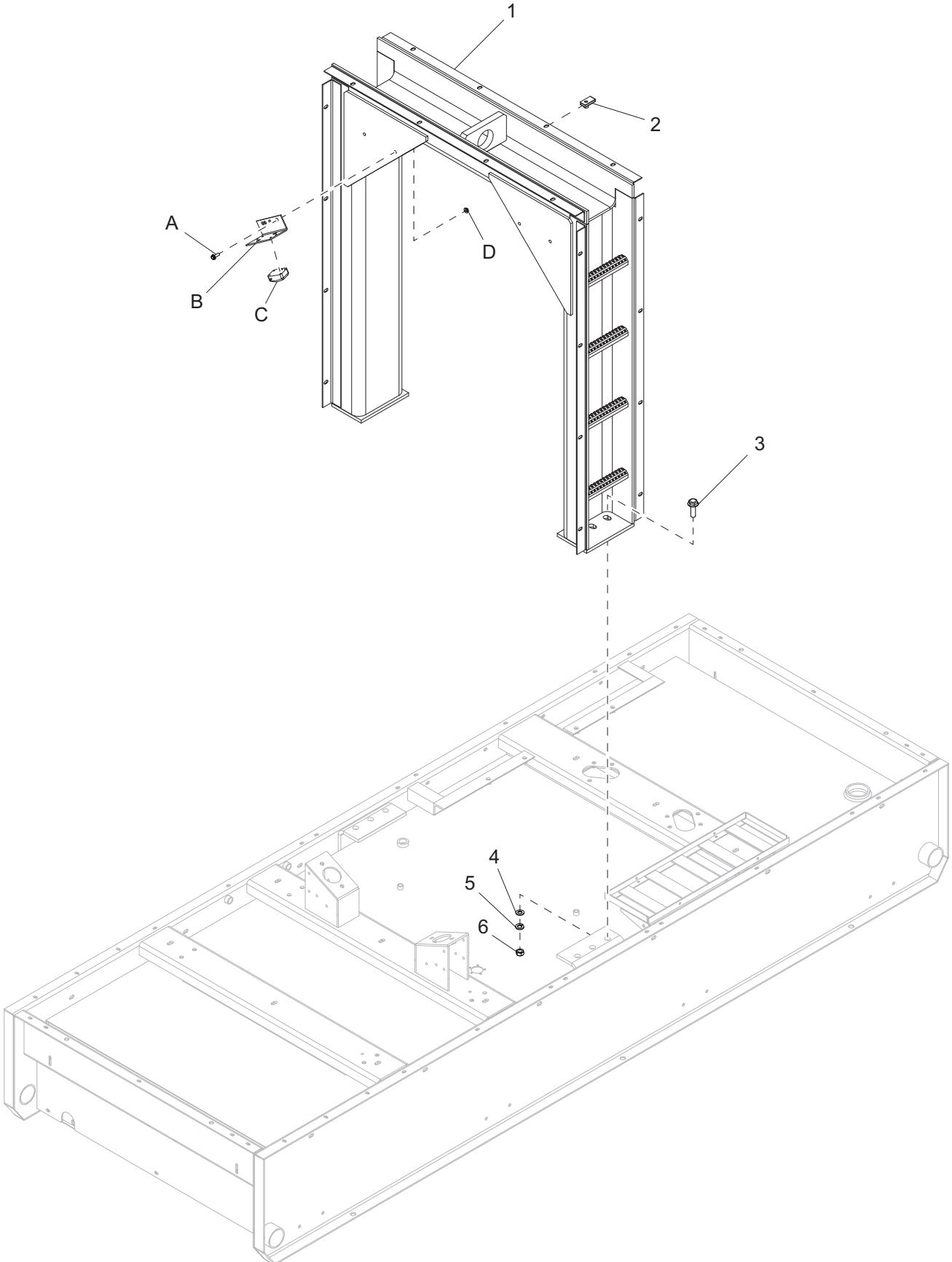
ITEM	PART NO.	QTY	DESCRIPTION	NOTES
1	14130	2	Receptacle, 120V/20A GFI	
2	60457	6	Nut, 10-24 nylock, G2	
3	18089	3	Receptacle, 240V/50A twist-lock	
4	18091	2	Breaker, 20A/240V, 1-pole	
5	18092	3	Breaker, 50A/240V, 2-pole	
6	65285	1	Receptacle, 120V/15A inlet (Edison)	
7	60364	2	Screw, 10-16 x .500 std hex, G2	
8	60068	6	Screw, 10-24 x .500 pan phil, G2	
9	60058	16	Washer, #6 split lock	
10	60046	16	Screw, 6-32 x .750 pan phil, G2	
11	60405	4	Screw, 6-32 x .250 pan phil, G2	
12	60526	2	Screw, 8-32 x .500 pan phil, G2	
13	18890	1	Block, terminal - 2 pos	
14	26355W	1	Panel, outlet	
15	60270	2	Nut, 8-32 nylock, class 6	
--	66300	1	Wire group, receptacle	
--	28964	1	Decal, engine block heater	

OPTIONAL FEATURES

Battery Charger:

A	65285	1	Receptacle, 120V/15A inlet (Edison)	
---	-------	---	-------------------------------------	--

LIFT STRUCTURE ASSEMBLY



LIFT STRUCTURE ASSEMBLY

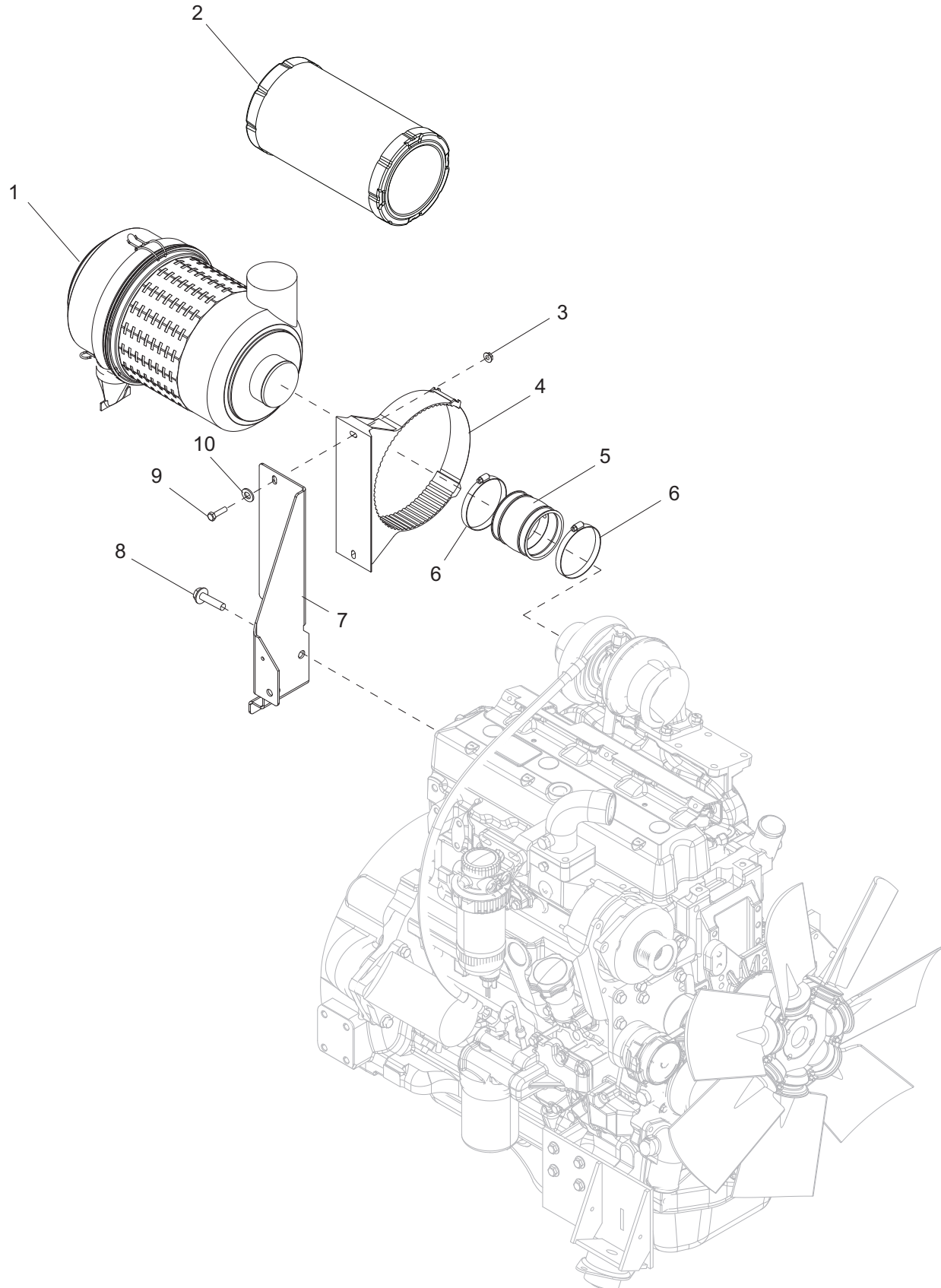
ITEM	PART NO.	QTY	DESCRIPTION	NOTES
1	22082B	1	Weldment, lift structure	
2	60505	24	Nut, .312-18 U-clip - long type	
3	63111	6	Screw, .750-10 x 2.25 flg hex, G8	
4	60081	6	Washer, M20 flat	
5	60248	6	Washer, .750 split lock	
6	60249	6	Nut, .750-10 hex, G8	
--	22081	1	Assembly, lift structure	Items 1 - 6

OPTIONAL FEATURES

Interior Lights:

A	61091	2	Screw, .312-18 x 1.0 sflg hex, G5
B	23528B	2	Bracket, interior light
C	11947	2	Light, interior with switch
D	60095	2	Nut, .312-18 sflg
--	60445	4	Screw, M5-0.80 x 16 pan phil, SS
--	60447	4	Nut, M5-0.80 nylock, SS
--	65932	1	Harness, light option

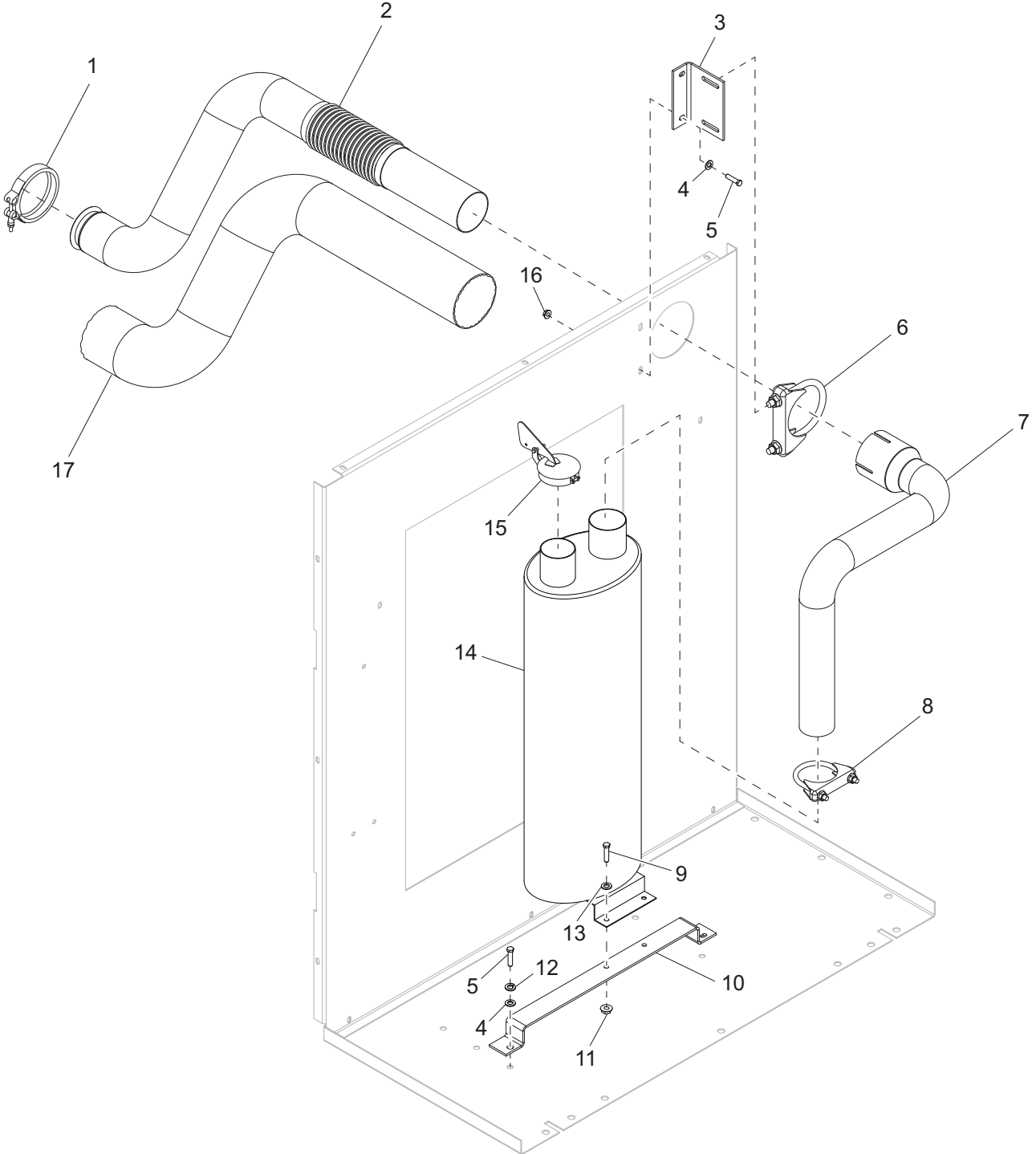
AIR FILTER ASSEMBLY



AIR FILTER ASSEMBLY

ITEM	PART NO.	QTY	DESCRIPTION	NOTES
1	26465	1	Filter, air cleaner	
2	26722	1	Element, air filter	
3	60095	2	Nut, .312-18 sflg	
4	26466	1	Clamp, air filter	
5	26467	1	Hose, air inlet - 3.0 ID x 3.0 long, M10 port	
6	18663	2	Clamp, hose - SAE 060 (3.31-4.25)	
7	26496B	1	Bracket, air filter	
8	60018	2	Screw, M10-1.25 x 20 sflg hex, class 90	
9	60256	2	Screw, .312-18 x 1.5 std hex, fully threaded, G5	
10	60119	2	Washer, .312 flat .875/.070	

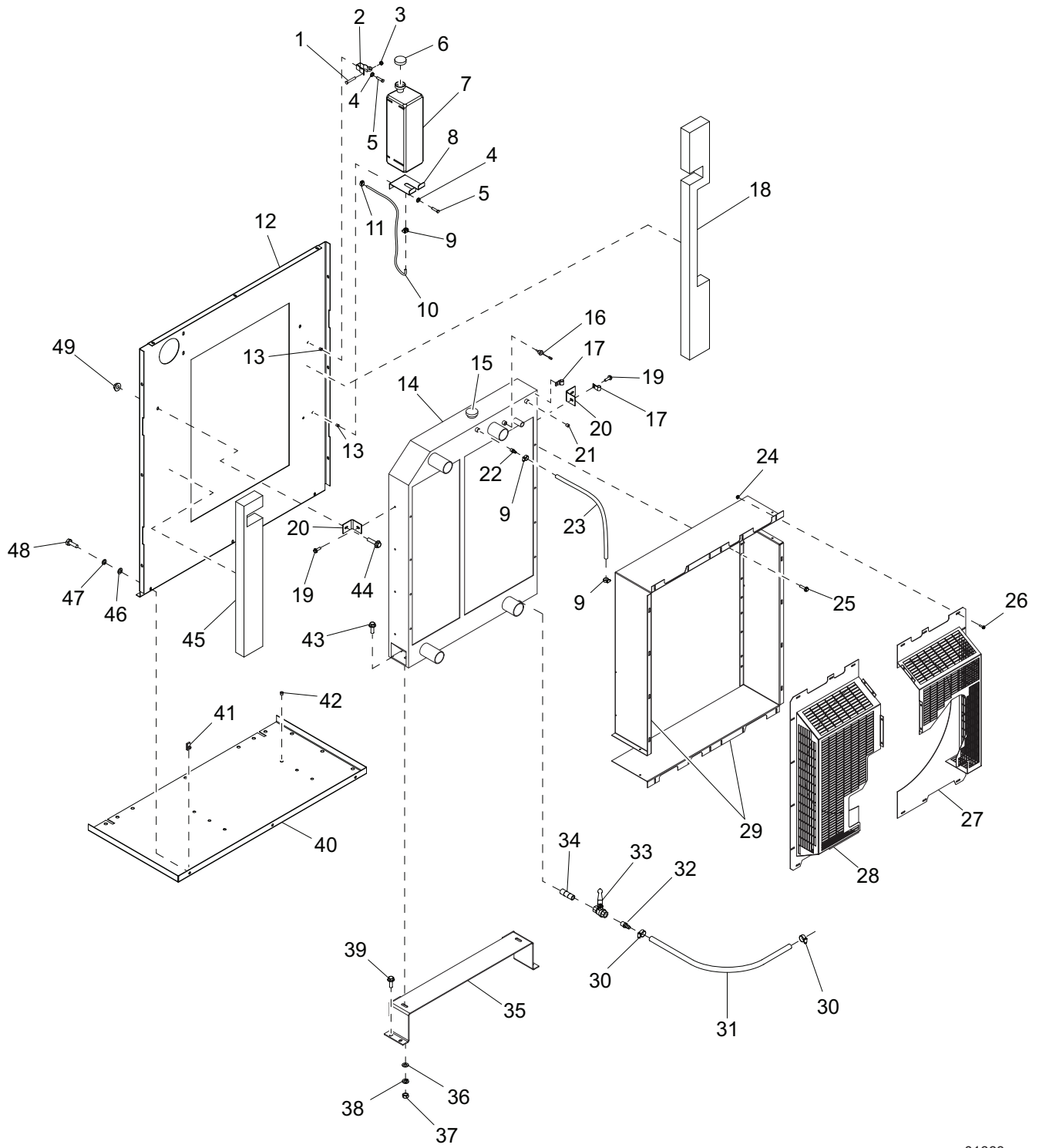
EXHAUST SYSTEM ASSEMBLY



EXHAUST SYSTEM ASSEMBLY

ITEM	PART NO.	QTY	DESCRIPTION	NOTES
1	18820	1	Clamp, V-band - 4.00/4.33 OD	
2	22061	1	Pipe, exhaust	
3	32811B	1	Bracket, muffler pipe support	
4	60340	4	Washer, .312 flat .875/.040, SS	
5	60507	4	Screw, .312-18 x 1.0 std hex, SS	
6	18822	1	Clamp, muffler - 4.0	
7	29527	1	Pipe, exhaust down	
8	18821	1	Clamp, muffler - 3.00	
9	61036	2	Screw, .375-16 x 1.25 std hex, SS	
10	29542B	1	Bracket, muffler support	
11	60145	2	Nut, .375-16 sflg, G5	
12	60701	2	Washer, .312 split lock, SS	
13	60698	2	Washer, .375 flat .875/.040, SS	
14	26378	1	Muffler	
15	21089	1	Cap, rain - 3.00	
16	60095	2	Nut, .312-18 sflg	
17	26481	6 ft	Sleeve, high temp - 5.00	

COOLING SYSTEM ASSEMBLY

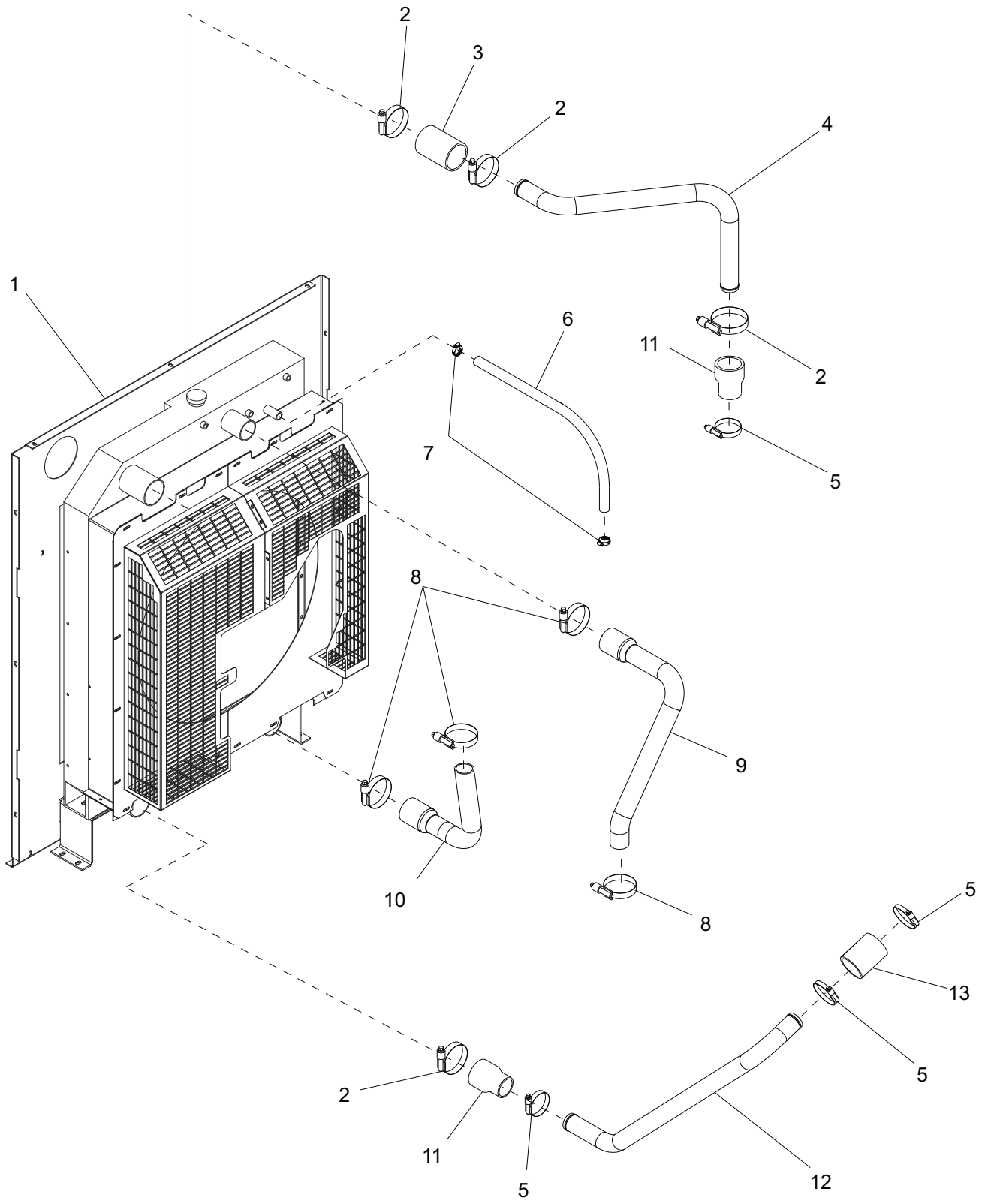


01663

COOLING SYSTEM ASSEMBLY

ITEM	PART NO.	QTY	DESCRIPTION	NOTES
1	60414	1	Screw, .250-20 x 1.50 std hex, G5	
2	19726	1	Clamp, overflow jug	
3	60144	1	Nut, .250-20 nylock, G5	
4	60704	3	Washer, .250 split lock, SS	
5	61195	3	Screw, .250-20 x .750 std hex, SS	
6	19714	1	Cap, overflow jug	
7	20212	1	Jug, overflow	
8	20213B	1	Support, overflow jug	
9	14216	3	Clamp, hose - SAE 004 (.21-.62) miniature	
10	50018	3 ft	Hose, fuel - .312 ID, 50 psi, SAE 30R7	
11	63192	1	Clamp, .464 crimping band	
12	27194B	1	Panel, bulkhead	
13	62132	3	Insert, threaded - .250-20 splined, .027-.165 grip	
14	29762	1	Radiator	
15	19219	1	Cap, radiator pressure	
16	30942	1	Assembly, low coolant switch/harness	
17	60649	2	Clamp, tubing - .750 hvy duty	
18	23404	1	Foam, radiator - right	
19	60616	2	Screw, .312-18 x .750 sflg hex, G5	
20	21920B	2	Bracket, upper radiator	
21	18394	1	Fitting, plug - .500NPT x internal hex	
22	60999	1	Fitting, strt - .500MNPT x .312 barb, brass	
23	50018	2.83 ft	Hose, fuel - .312 ID, 50 psi, SAE 30R7	
24	60161	26	Nut, .250-20 sflg, G5	
25	60451	8	Screw, .375-16 x .625 flg hex	
26	60175	26	Screw, .250-20 x .500 sflg hex, G5	
27	27784B	1	Weldment, fan guard - left	
28	27785B	1	Weldment, fan guard - right	
29	27810B	2	Shroud, radiator	
30	63252	2	Clamp, hose - size 24, spring type	
31	50201	1.54 ft	Hose, .625, 200 psi, class A	
32	60502	1	Fitting, strt - .500MNPT x .625 barb, brass	
33	19279	1	Valve, ball - .500NPTF	
34	60438	1	Fitting, nipple, pipe - .500NPT x close	
35	22236B	1	Weldment, radiator support	
36	60013	2	Nut, M12-1.75 hex, class 10	
37	60204	2	Washer, .500 split lock	
38	60012	2	Washer, M12 flat	
39	60055	4	Screw, M10-1.50 x 35 std hex, G10.9	
40	22051B	1	Panel, muffler mount	
41	60505	3	Nut, .312-18 U-clip - long type	
42	62133	2	Insert, threaded - .312-18 splined, .027-.150 grip	
43	60202	2	Screw, M12-1.75 x 35 sflg hex, G10.9	
44	61036	2	Screw, .375-16 x 1.250 std hex, SS	
45	23403	1	Foam, radiator - left	
46	60340	3	Washer, .312 flat .875/.040, SS	
47	60701	3	Washer, .312 split lock, SS	
48	60507	3	Screw, .312-18 x 1.0 std hex, SS	
49	60145	2	Nut, .375-16 sflg, G5	

COOLING SYSTEM HOSES



COOLING SYSTEM HOSES

ITEM	PART NO.	QTY	DESCRIPTION	NOTES
1	Page 74	1	Assembly, cooling system	
2	60666	4	Clamp, hose - const. torque 2.25-3.125	
3	28541	1	Hose, CAC - 2.50 x 4.0 long	
4	29526	1	Pipe, C.A.C. inlet	
5	60660	4	Clamp, hose - const. torque 1.75-2.625	
6	50169	3 ft	Hose, 1.0, class A	
7	19338	2	Clamp, hose - SAE 016 (.68-1.50)	
8	60316	4	Clamp, hose - SAE 032 (1.56-2.50)	
9	29709	1	Hose, radiator - upper	
10	29710	1	Hose, radiator - lower	
11	22060	2	Hose, CAC - 2.0-2.50 x 4.0 long	
12	22152	1	Pipe, CAC outlet	
13	28540	1	Hose, CAC - 2.0 x 4.0 long	

ENGINE AND GENERATOR TO SKID ASSEMBLY

ITEM	PART NO.	QTY	DESCRIPTION	NOTES
1	<i>Page 80</i>	1	Assembly, engine	
2	60018	8	Screw, M10-1.25 x 20 sflg hex, class 90	
3	61078	6	Screw, .625-11 x 2.0 flg hex, G8	
4	60240	6	Nut, .625-11 nylock, G5	
5	60193	6	Washer, M16 flat	
6	14682	1	Bracket, battery hold-down	
7	14146	2	Bolt, J - .250-20 x 10.0 w/wing nut	
8	60089	2	Washer, .265 fender 1.250/.060	
9	18694	1	Cable, battery - 16 in., 1/0 black, 5/8 in. lug	
10	23814	1	Cable, battery - 54 in., 2/0 red w/boot, 1/2 in. lug	
11	60145	1	Nut, .375-16 sflg, G5	
12	60386	1	Washer, .375 flat .993/.064	
13	60053	2	Washer, .375 ext. star	
14	60353	1	Screw, .375-16 x 1.0 flg hex, self tapping, G2	
15	19042	1	Strap, braided ground - 10 in	
16	60487	1	Screw, .375-16 x 1.50 sflg hex, G5	
--	66048	1	Harness, engine	

OPTIONAL FEATURES

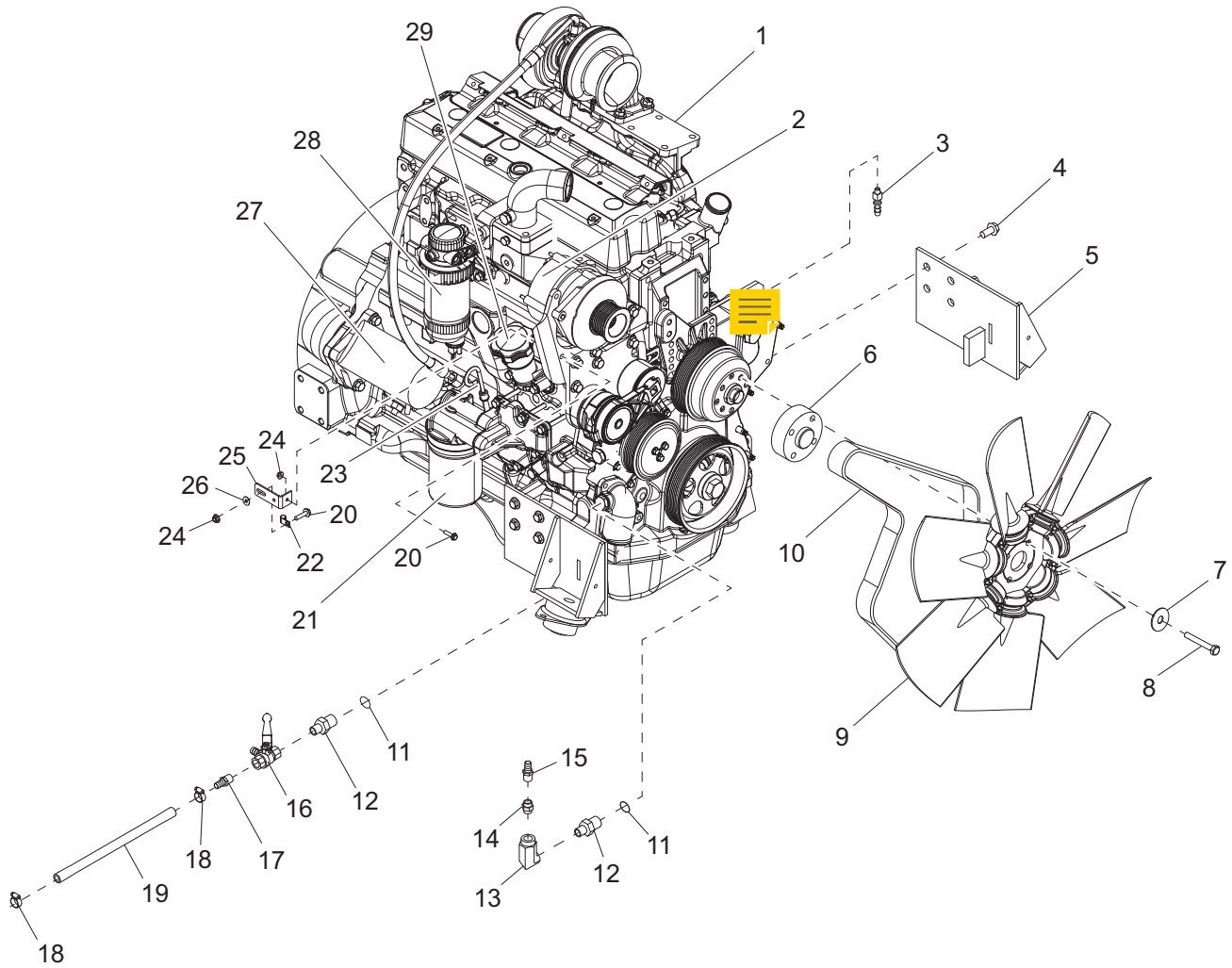
Battery Disconnect:

A	21489	1	Switch, battery disconnect - 500A
B	60523	2	Screw, .250-20 x .875 sflg hex
C	60161	2	Nut, .250-20 sflg, G5
D	23360B	1	Bracket, battery disconnect
E	60072	2	Screw, M12-1.75 x 25 sflg hex, G10.9
--	23815	1	Cable, battery - 32 in., 2/0 black, 1/2 in. lug
--	27517	1	Cable, battery - 22 in., 2/0 black, 1/2 in. lug

Fuel Lubricity Adder:

--	23412	1	Assembly, fuel lubricity adder
--	23444B	1	Bracket, fuel lube adder

ENGINE ASSEMBLY



ENGINE ASSEMBLY

ITEM	PART NO.	QTY	DESCRIPTION	NOTES
1	29516	1	Engine, Deere - 4045HF285	
2	23346	1	Alternator	
3	19268	1	Fitting, fuel return	
4	60072	6	Screw, M12-1.75 x 25 sflg hex, G10.9	
5	Page 82	2	Assembly, engine mount	
6	19524	1	Spacer, fan - 4 hole, 1.93 long	MMG120 only
7	60027	4	Washer, M10 flat	
8	60153	4	Screw, M10-1.50 x 80 std hex, G10.9	MMG120 only
9	26156	1	Fan, engine - 28 in	MMG120 only
10	27297	1	Belt, fan	
11	19466	2	Seal, M18	
12	19257	2	Fitting, strt - .500MNPT x M18 O-ring seal	
13	22462	1	Fitting, 90° - .500FNPT x .500FNPT, brass	
14	22461	1	Fitting, strt - .500MNPT x .750FNPT, brass	
15	25496	1	Fitting, strt - .750MNPT x 1.0 barb, brass	
16	61165	1	Valve, ball - .500NPTF x .500 hose barb, pad-locking	
17	60502	1	Fitting, strt - .500MNPT x .625 barb, brass	
18	63252	2	Clamp, hose - size 24, spring type	
19	50201	1.54 ft	Hose, .625 ID, 200 psi, class A	
20	61091	2	Screw, .312-18 x 1.0 sflg hex, G5	
21	26817	1	Filter, oil	
22	60716	1	Clamp, tubing - 1.50 lt duty	
23	26600	1	Dipstick, oil fill	
24	60095	2	Nut, .312-18 sflg	
25	11131B	1	Bracket, manual holder	
26	60119	1	Washer, .312 flat .875/.070	
27	26818	1	Starter, engine	
28	26597	1	Filter, fuel - primary	
29	22375	1	Cap, engine oil fill (w/gasket)	
--	24061	1	Thermostat, engine	
--	26236	1	Filter, fuel - final	
--	27009	1	Heater, fuel filter	For CAN & CAN6 only
--	27011	1	Harness, filter heater	For CAN & CAN6 only

OPTIONAL FEATURES FOR MMG120

Heated Fuel Filter:

--	27009	1	Heater, fuel filter
--	27011	1	Harness, filter heater

Clutched Fan:

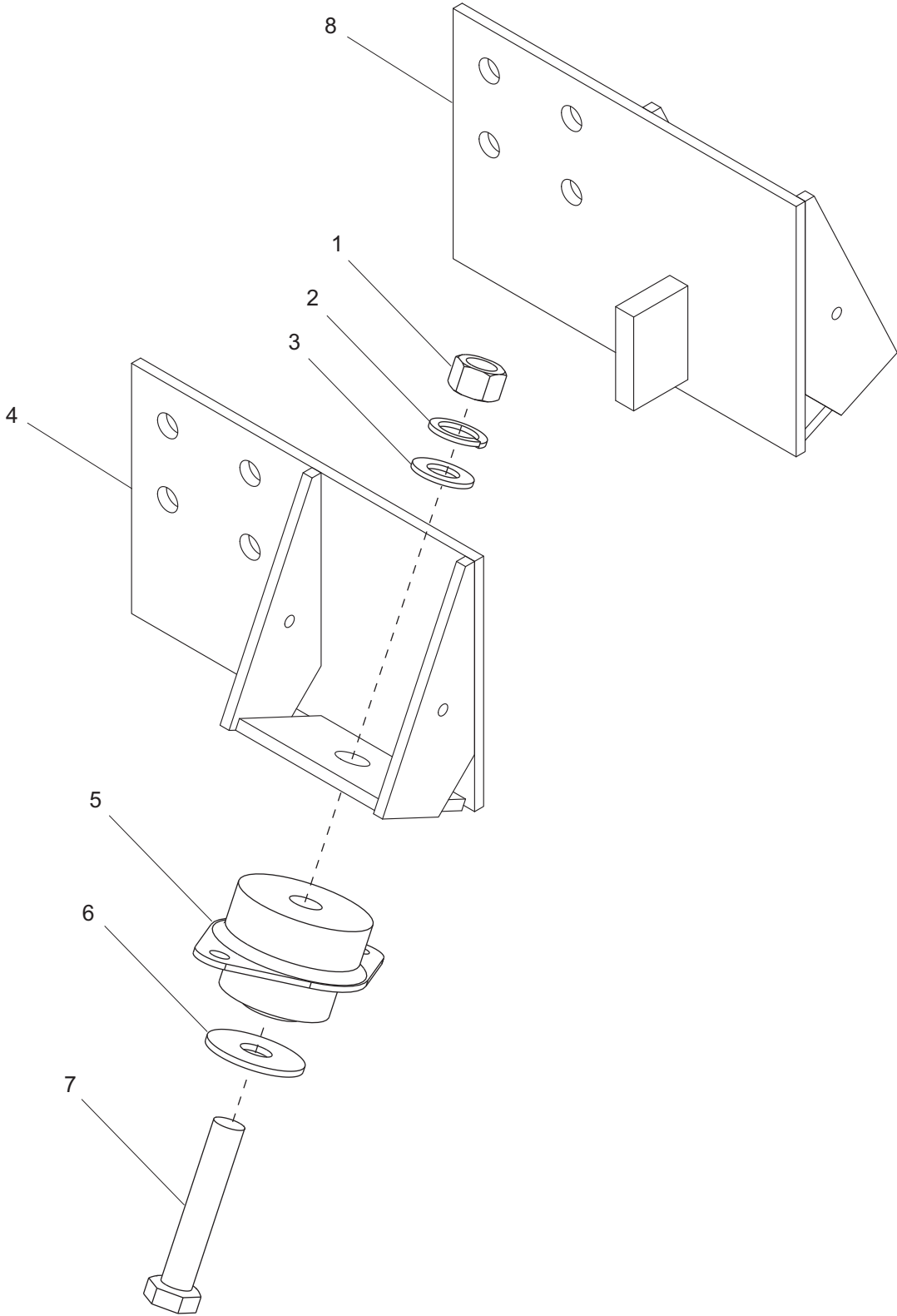
--	Page 86	1	Assembly, clutched fan
----	---------	---	------------------------

Hotstart:

--	Page 88	1	Assembly, kim hotstart
----	---------	---	------------------------

Note: Engine and generator parts used in all Generac Mobile Products equipment carry the Original Equipment Manufacturer (OEM) warranty unless otherwise stated. OEM warranty parts must be purchased through an OEM dealer. Please contact Generac Mobile Products with questions.

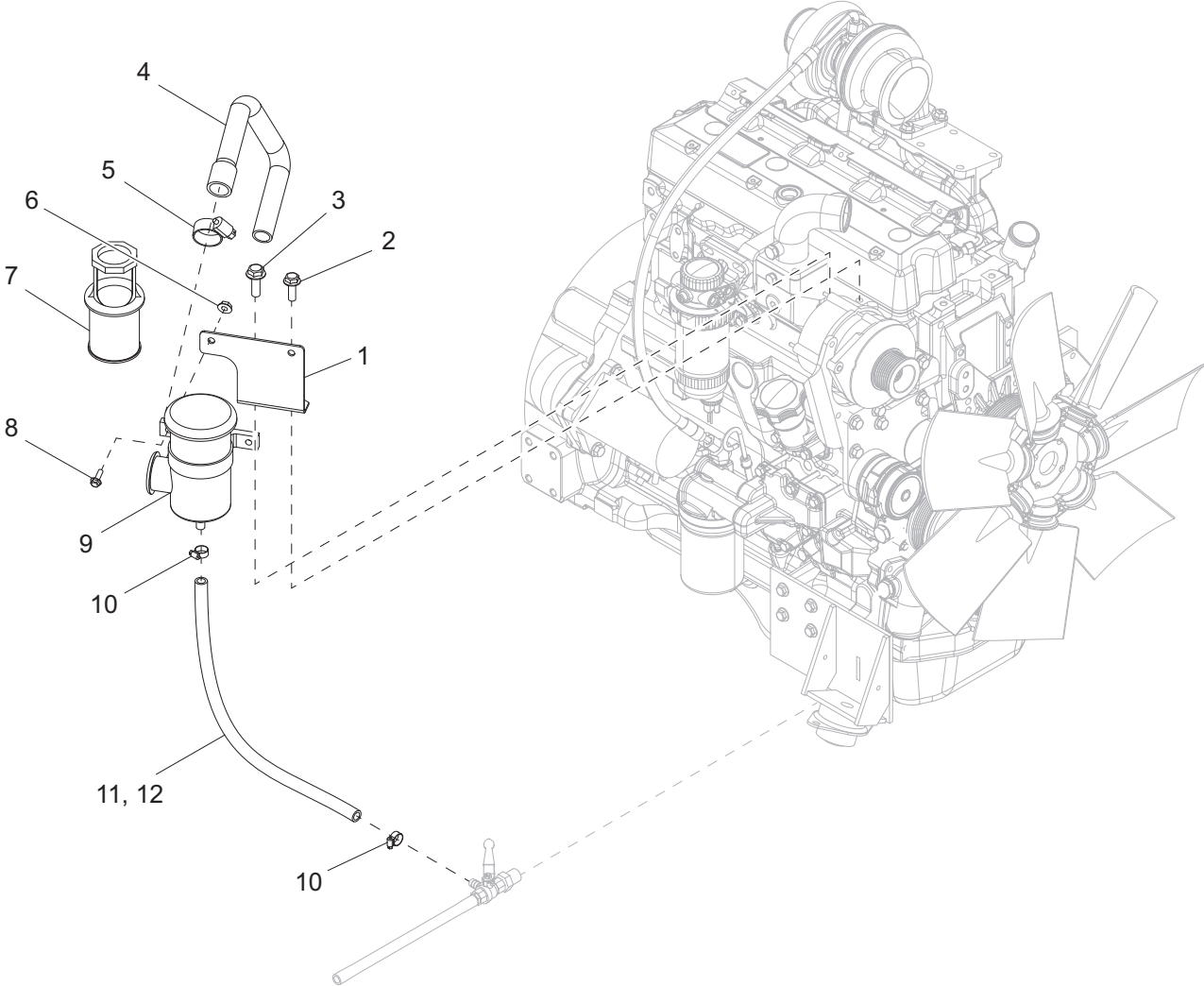
ENGINE MOUNT ASSEMBLY



ENGINE MOUNT ASSEMBLY

ITEM	PART NO.	QTY	DESCRIPTION	NOTES
1	60520	2	Nut, .625-11 hex, G8	
2	60194	2	Washer, M16 split lock	
3	60521	2	Washer, .625 flat 1.743/.108	
4	27816B	1	Weldment, engine mount - right	
5	18084	2	Isolator, rubber - 840/560 lbs	
6	18086	2	Washer, .625 snub 2.250/.180	
7	60519	2	Screw, .625-11 x 3.50 std hex, G8	
8	27817B	1	Weldment, engine mount - left	

OIL RECIRCULATION ASSEMBLY



OIL RECIRCULATION ASSEMBLY

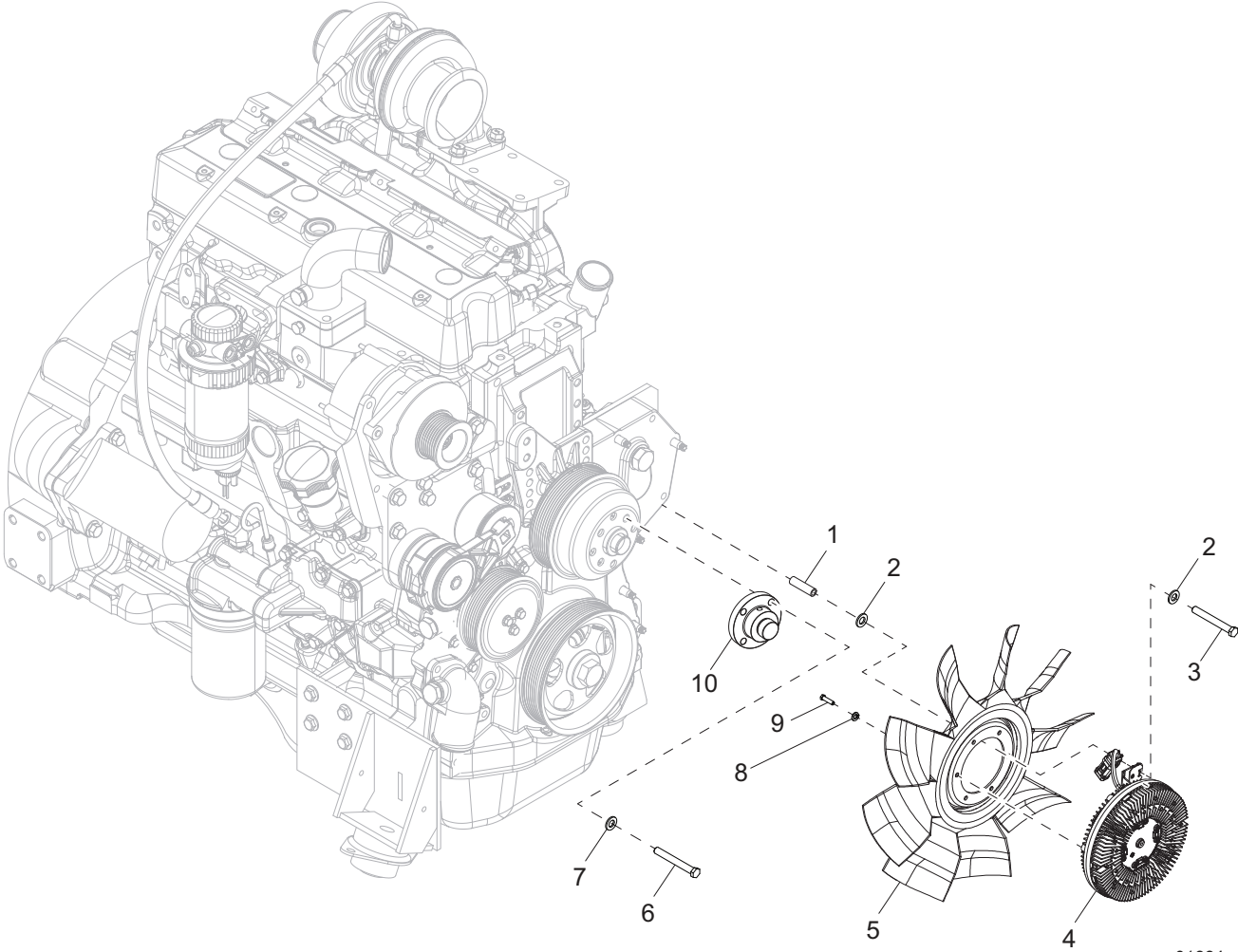
ITEM	PART NO.	QTY	DESCRIPTION	NOTES
1	26570B	1	Bracket, OCV system	
2	60018	1	Screw, M10-1.25 x 20 sflg hex, class 90	
3	60072	1	Screw, M12-1.75 x 25 sflg hex, G10.9	
4	24170	1	Hose, OCV vent	
5	19338	2	Clamp, hose - SAE 016 (.68-1.50)	
6	60095	2	Nut, .312-18 sflg	
7	24552	1	Filter, oil recirculation	
8	61091	2	Screw, .312-18 x 1.0 sflg hex, G5	
9	24318	1	Kit, oil recirculation	
10	63250	2	Clamp, hose - size 16, spring type	
11	50051	2.50 ft	Hose, fuel - .375 ID, 50 psi, SAE 30R7	
12	50023	3	Loom, wire - .625	

OPTIONAL FEATURES

Oil Vapor Recovery Heater:

--	27272	1	Heater, oil vapor recovery - Racor/Provent
--	66658	3 ft	Loom, wire - 1.06

**CLUTCHED FAN ASSEMBLY - MMG120CAN, MMG120CAN6
(Optional for MMG120)**

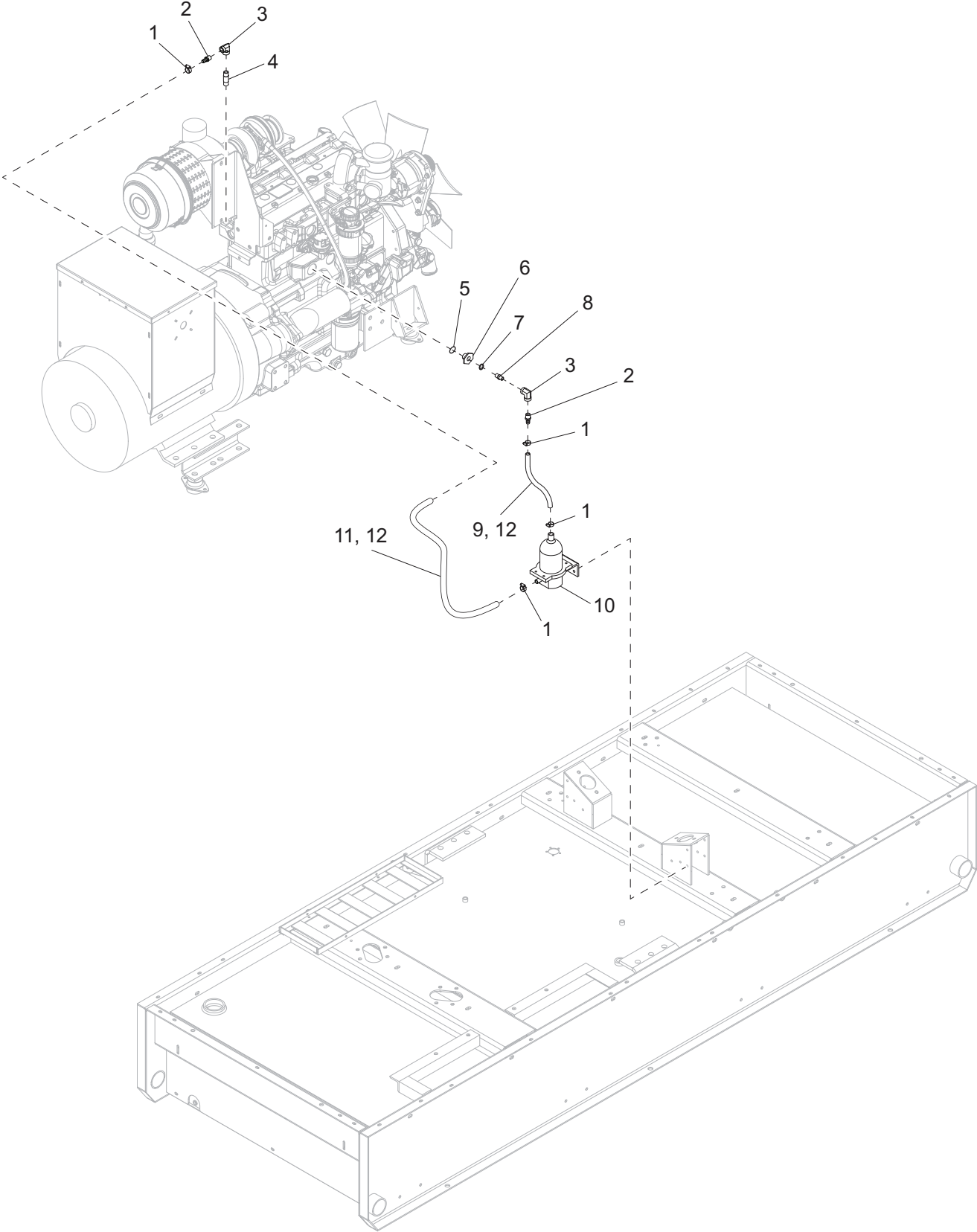


01664

**CLUTCHED FAN ASSEMBLY - MMG120CAN, MMG120CAN6
(Optional for MMG120)**

ITEM	PART NO.	QTY	DESCRIPTION	NOTES
1	31808B	1	Spacer, .750 OD, .51 ID, 2.75 long	
2	60027	2	Washer, M10 flat	
3	63162	1	Screw, M10-1.50 x 100 std hex, G10.9	
4	30268	1	Clutch, fan - for 23/26 in	
5	30753	1	Fan, engine - 26.0 in	
6	60055	4	Screw, M10-1.50 x 35 std hex, G10.9	
7	60026	4	Washer, M10 split lock	
8	60341	6	Washer, M8 split lock, SS	
9	60339	6	Screw, M8-1.25 x 20 std hex, SS	
10	30264	1	Hub, fan clutch mount - 1.25 thick, 30 mm	
--	67863	1	Harness, clutch fan - control box	
--	66737	1	Harness, clutch fan - fan assembly	

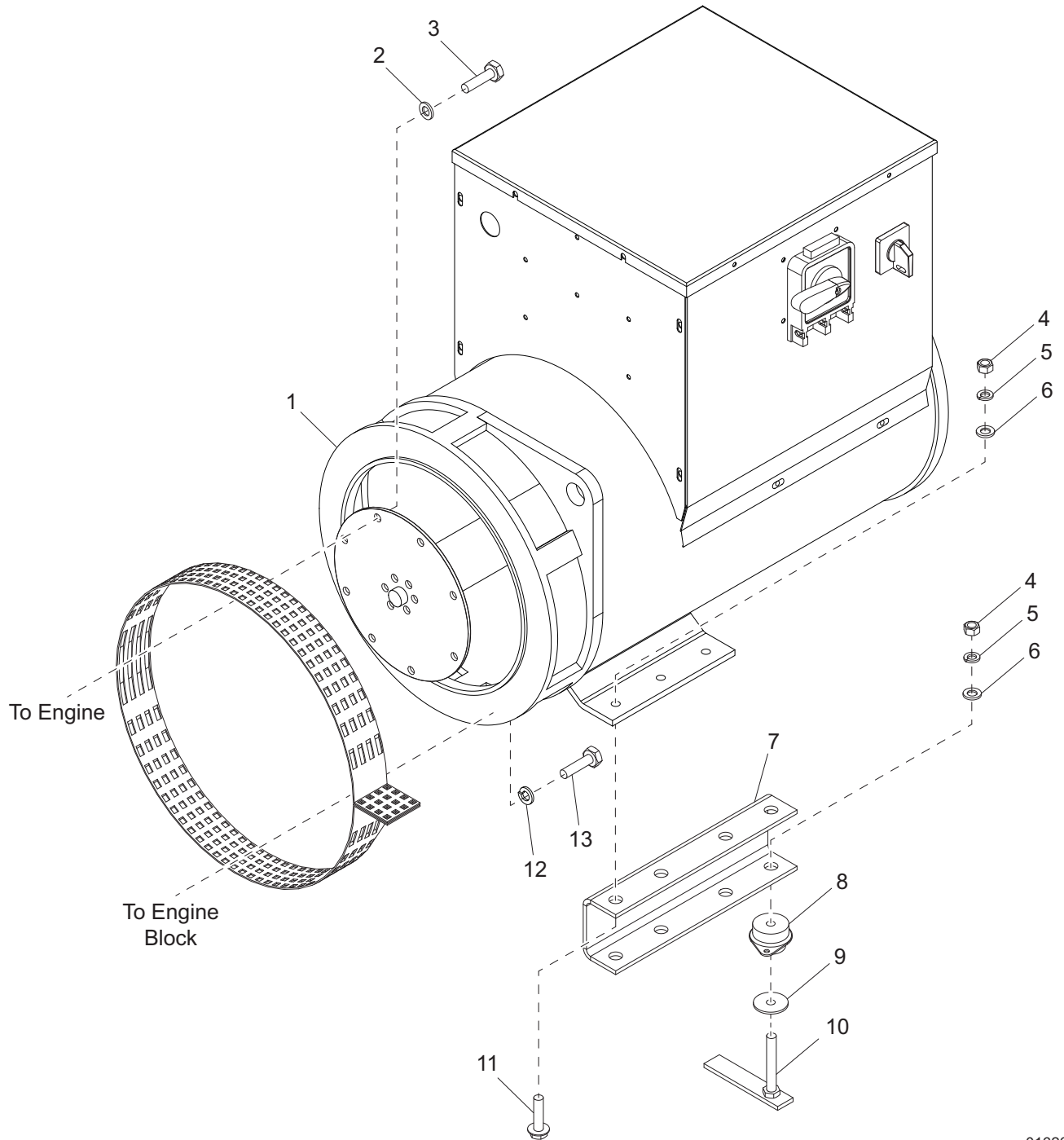
**HOTSTART ASSEMBLY - MMG120CAN, MMG120CAN6
(Optional for MMG120)**



**HOTSTART ASSEMBLY - MMG120CAN, MMG120CAN6
(Optional for MMG120)**

ITEM	PART NO.	QTY	DESCRIPTION	NOTES
1	60365	4	Clamp, hose - SAE 010 (.56-1.06)	
2	60502	2	Fitting, strt - .500MNPT x .625 barb, brass	
3	22462	2	Fitting, 90° - .500FNPT x .500FNPT, brass	
4	60438	1	Fitting, nipple, pipe - .500NPT x close	
5	22589	1	O-ring - 1.625 in	
6	22588	1	Fitting, strt - 1.625 O-ring seal x M18 O-ring seal	
7	19466	1	Seal, M18	
8	19257	1	Fitting, strt - .500MNPT x M18 O-ring seal	
9	50201	2 ft	Hose, .625, 200 psi, class A	
10	25938	1	Heater, coolant - 200-300 CI, 120V, 1500W, 12.5A	
11	50201	4 ft	Hose, .625, 200 psi, class A	
12	66658	6 ft	Loom, wire - 1.06	

GENERATOR ASSEMBLY - MMG120, MMG120CAN



01620

GENERATOR ASSEMBLY - MMG120, MMG120CAN

ITEM	PART NO.	QTY	DESCRIPTION	NOTES
1	22098	1	Generator, Marathon - 363PSL1607	
2	60151	8	Washer, .375 flat .810/.060	
3	60179	8	Screw, .375-16 x .750 std hex, G8	
4	60520	6	Nut, .625-11 hex, G8	
5	60194	6	Washer, M16 split lock	
6	60521	6	Washer, .625 flat 1.743/.108	
7	27812B	2	Bracket, generator mount spacer	
8	18084	2	Isolator, rubber - 840/560 lbs	
9	18086	2	Washer, .650 snubber 2.250/.180	
10	27168	2	Weldment, anti-turn bolt .625 x 4.0 in	
11	60994	4	Screw, .625-11 x 1.50 flg hex, G8	
12	60026	12	Washer, M10 split lock	
13	60055	12	Screw, M10-1.50 x 35 std hex, G10.9	

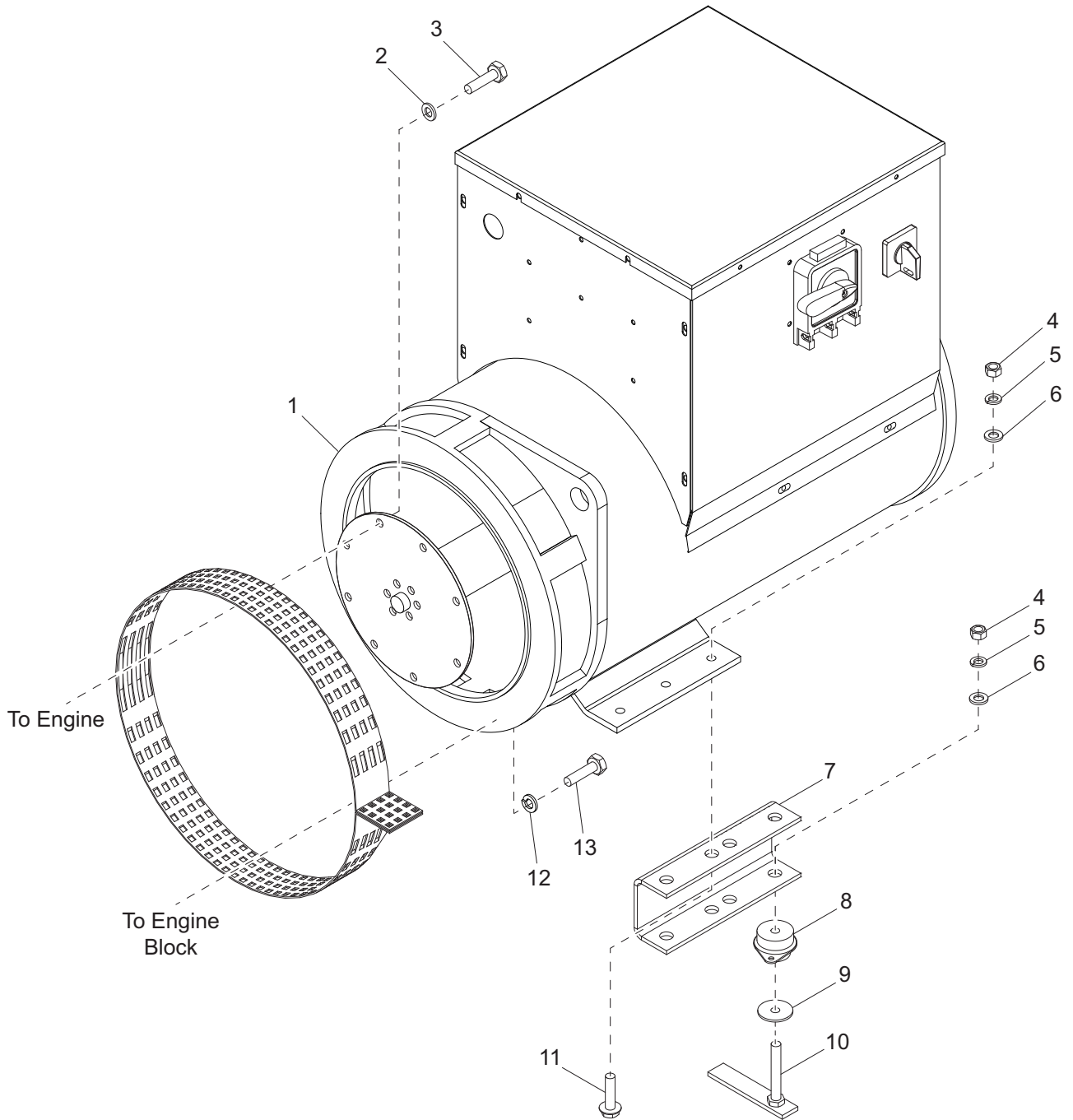
OPTIONAL FEATURES

Super Start Generator:

--	22125	1	Generator, Marathon - 431PSL6206	
----	-------	---	----------------------------------	--

Note: Engine and generator parts used in all Generac Mobile Products equipment carry the Original Equipment Manufacturer (OEM) warranty unless otherwise stated. OEM warranty parts must be purchased through an OEM dealer. Please contact Generac Mobile Products with questions.

GENERATOR ASSEMBLY - MMG120CAN6



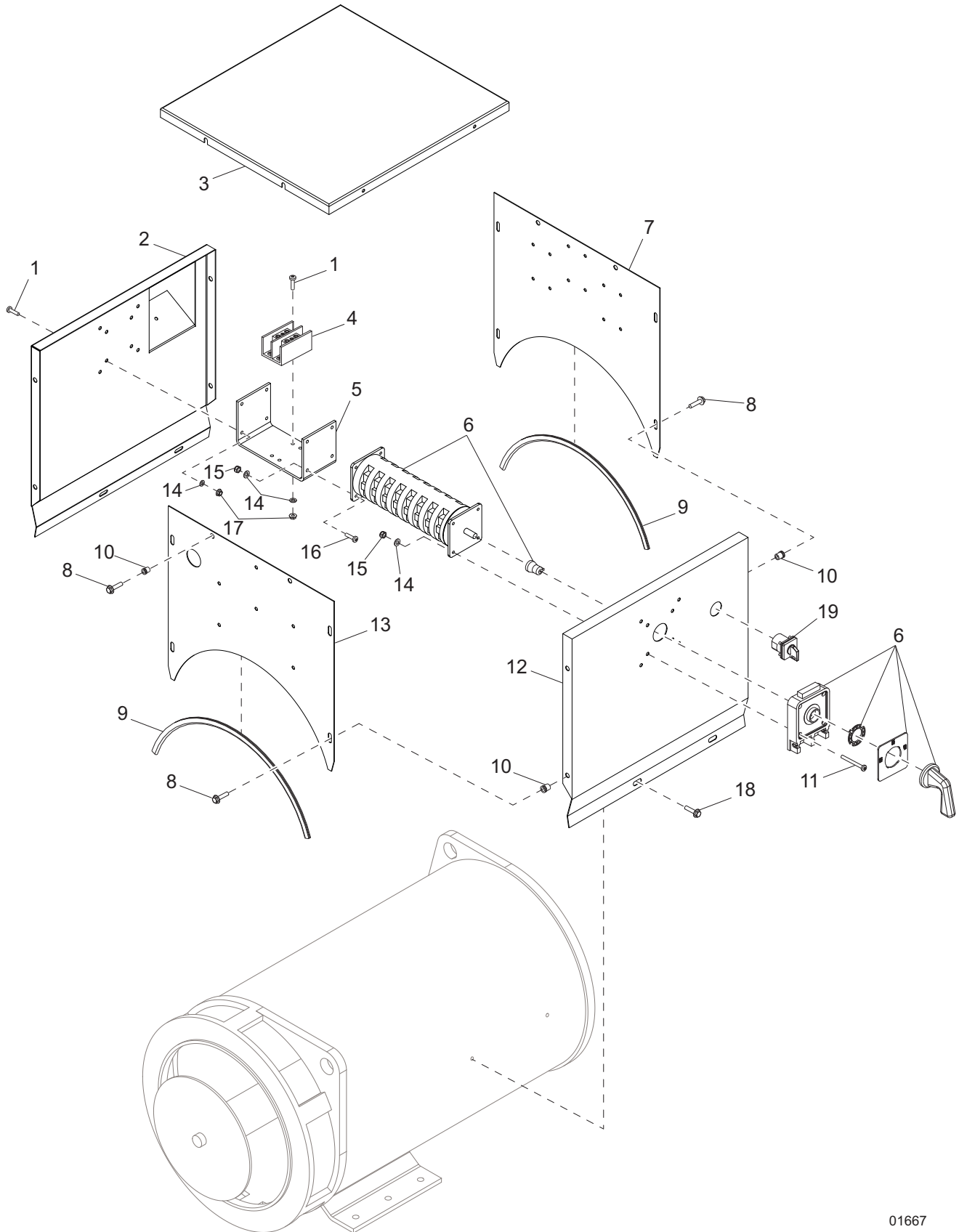
01621

GENERATOR ASSEMBLY - MMG120CAN6

ITEM	PART NO.	QTY	DESCRIPTION	NOTES
1	34209	1	Generator, Marathon - 362PSL1668	
2	60151	8	Washer, .375 flat .810/.060	
3	60179	8	Screw, .375-16 x .750 std hex, G8	
4	60520	6	Nut, .625-11 hex, G8	
5	60194	6	Washer, M16 split lock	
6	60521	6	Washer, .625 flat 1.743/.108	
7	34450B	2	Bracket, generator mount spacer	
8	18084	2	Isolator, rubber - 840/560 lbs	
9	18086	2	Washer, .650 snubber 2.250/.180	
10	27168	2	Weldment, anti-turn bolt .625 x 4.0 in	
11	60994	4	Screw, .625-11 x 1.50 flg hex, G8	
12	60026	12	Washer, M10 split lock	
13	60055	12	Screw, M10-1.50 x 35 std hex, G10.9	

Note: Engine and generator parts used in all Generac Mobile Products equipment carry the Original Equipment Manufacturer (OEM) warranty unless otherwise stated. OEM warranty parts must be purchased through an OEM dealer. Please contact Generac Mobile Products with questions.

GENERATOR BOX ASSEMBLY - STD GEN, 3 POS - MMG120, MMG120CAN

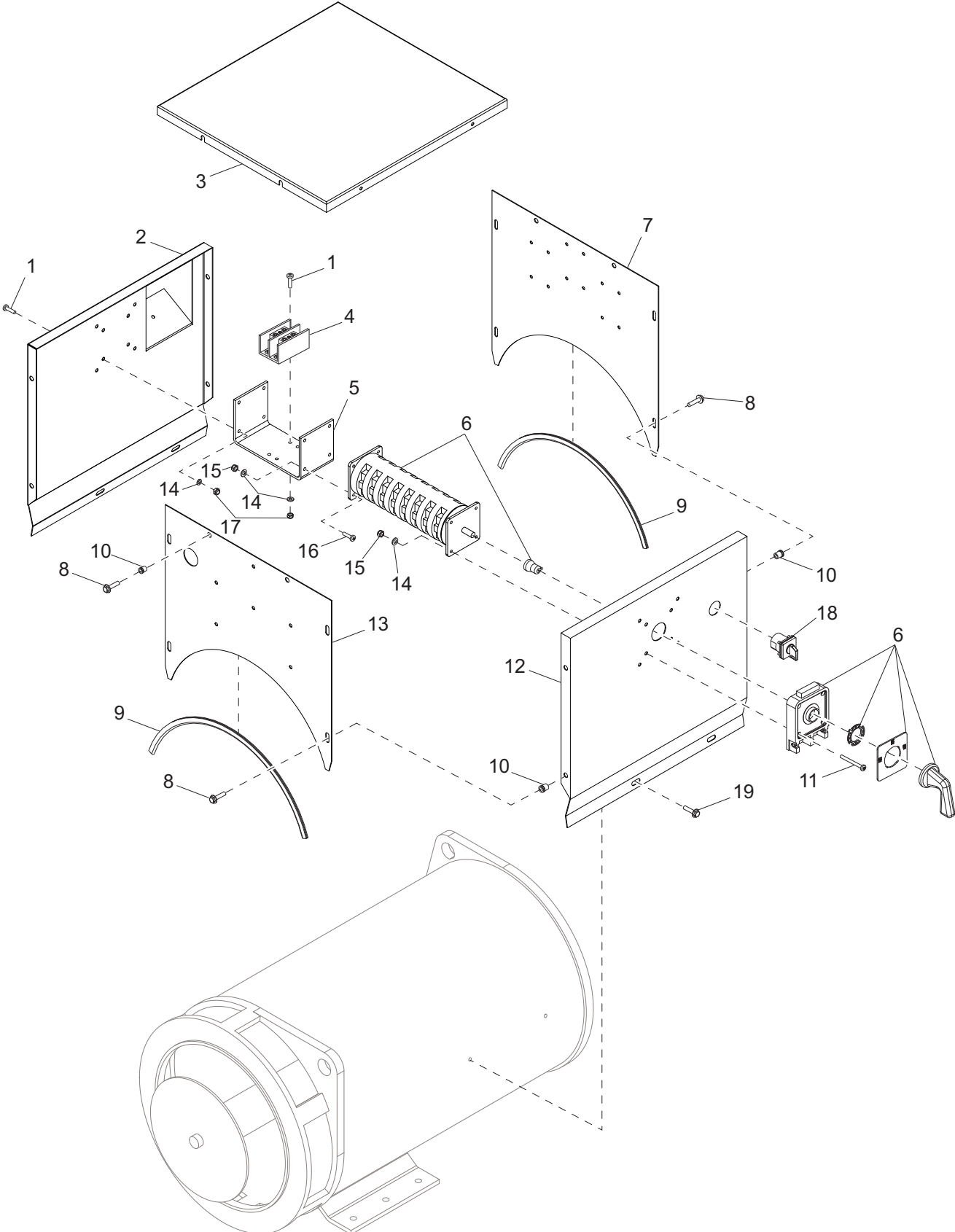


01667

GENERATOR BOX ASSEMBLY - STD GEN, 3 POS - MMG120, MMG120CAN

ITEM	PART NO.	QTY	DESCRIPTION	NOTES
1	60062	8	Screw, 10-32 x .750 pan phil, G2	
2	22288B	1	Panel, generator box - right	
3	19761B	1	Panel, generator box - top	
4	19368	1	Block, terminal, 2-pole lug type, 2/0	
5	18486B	1	Bracket, phase switch	
6	18102	1	Switch, phase - 200A, 3 pos. (Y,y,Z)	
7	18769B	1	Panel, generator box - rear	
8	60528	12	Screw, .250-20 x .625 sflg hex, G5	
9	20258	2	Seal, generator box	
10	62132	12	Insert, threaded .250-20 splined - .027-.165 grip	
11	60533	4	Screw, 10-24 x 1.50 pan phil, G2	
12	19776B	1	Panel, generator box - left	
13	22287B	1	Panel, generator box - front	
14	60237	16	Washer, #10 flat .495/.036	
15	60457	8	Nut, 10-24 nylock, G2	
16	60850	4	Screw, 10-24 x .750 pan phil, G2	
17	61045	8	Nut, 10-32 sflg	
18	60115	4	Screw, M6-1.00 x 12 sflg hex, G8.8	
19	67092	1	Switch, phase - 2 pos. lockable, 300V	
--	22448	1	Assembly, generator box	Items 1 - 17
--	60618	1	Wire group, 3 pos. AC cables	
--	61179	1	Wire group, 3 pos. phase sw jumpers	

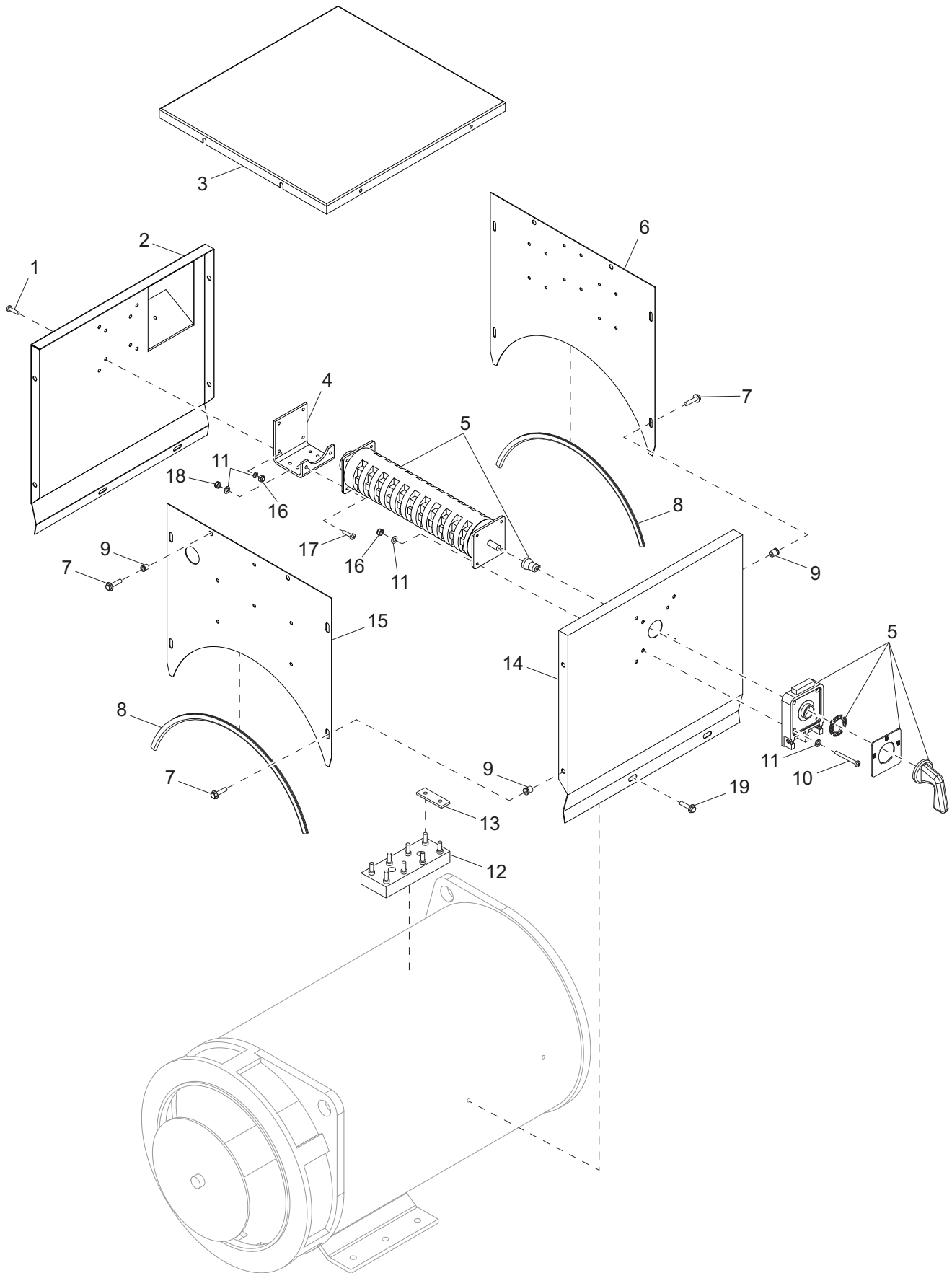
GENERATOR BOX ASSEMBLY - STD GEN, 3 POS - MMG120CAN6



GENERATOR BOX ASSEMBLY - STD GEN, 3 POS - MMG120CAN6

ITEM	PART NO.	QTY	DESCRIPTION	NOTES
1	60062	8	Screw, 10-32 x .750 pan phil, G2	
2	22288B	1	Panel, generator box - right	
3	19761B	1	Panel, generator box - top	
4	19368	1	Block, terminal, 2-pole lug type, 2/0	
5	18486B	1	Bracket, phase switch	
6	18102	1	Switch, phase - 200A, 3 pos. (Y,y,Z)	
7	18769B	1	Panel, generator box - rear	
8	60528	12	Screw, .250-20 x .625 sflg hex, G5	
9	20258	2	Seal, generator box	
10	62132	12	Insert, threaded .250-20 splined - .027-.165 grip	
11	60533	4	Screw, 10-24 x 1.50 pan phil, G2	
12	34284B	1	Panel, generator box - left	
13	22287B	1	Panel, generator box - front	
14	60237	16	Washer, #10 flat .495/.036	
15	60457	8	Nut, 10-24 nylock, G2	
16	60850	4	Screw, 10-24 x .750 pan phil, G2	
17	61045	8	Nut, 10-32 sflg	
18	67092	1	Switch, phase - 2 pos. lockable, 300V	
19	60115	4	Screw, M6-1.00 x 12 sflg hex, G8.8	
--	34221	1	Assembly, generator box	Items 1 - 18
--	60618	1	Wire group, 3 pos. AC cables	
--	61179	1	Wire group, 3 pos. phase sw jumpers	
--	34500	1	Decal, voltage selector switch - 600V	

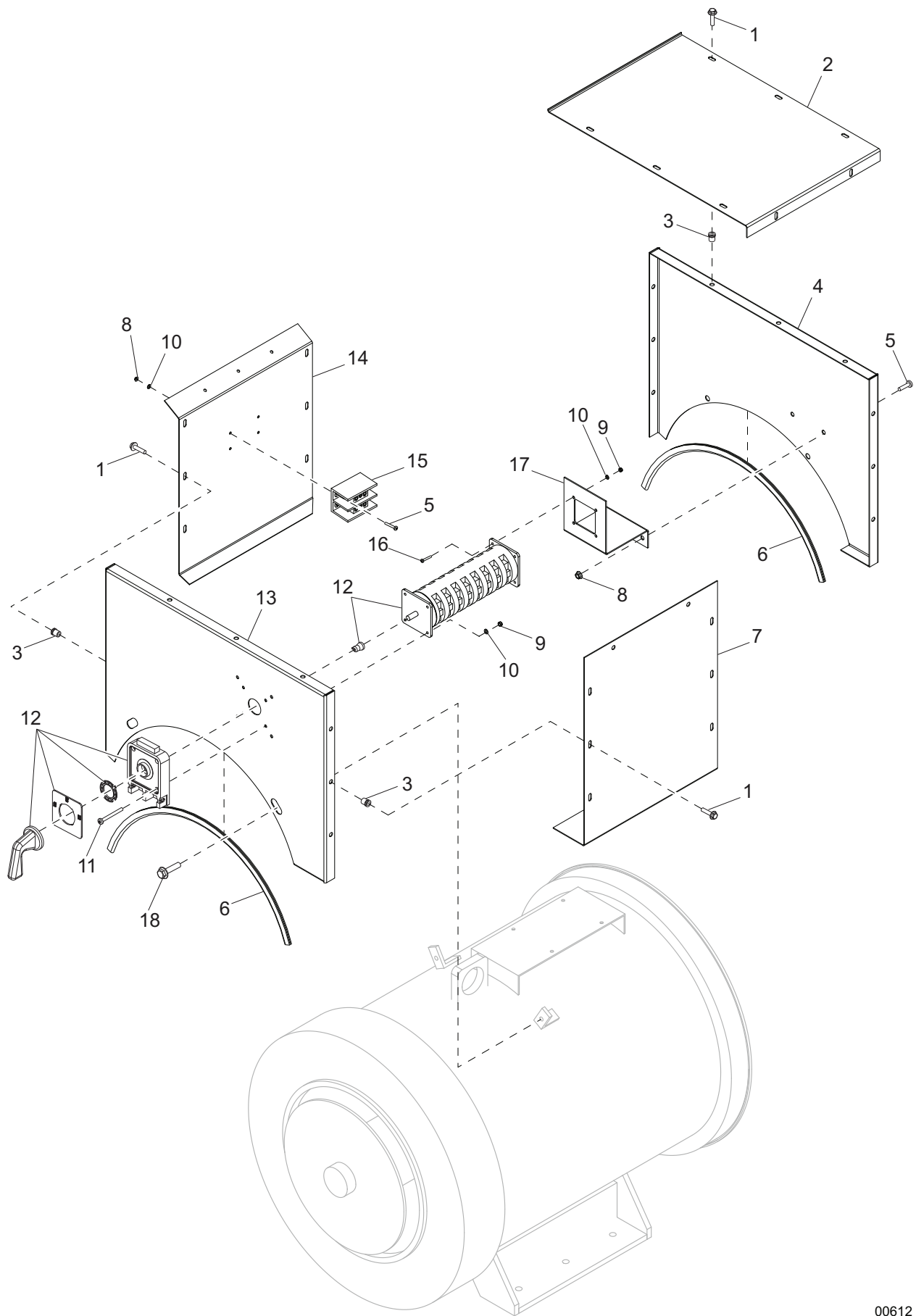
GENERATOR BOX ASSEMBLY - STD GEN, 4 POS - MMG120, MMG120CAN



GENERATOR BOX ASSEMBLY - STD GEN, 4 POS - MMG120, MMG120CAN

ITEM	PART NO.	QTY	DESCRIPTION	NOTES
1	60062	4	Screw, 10-32 x .750 pan phil, G2	
2	22288B	1	Panel, generator box - right	
3	19761B	1	Panel, generator box - top	
4	28499B	1	Bracket, phase switch	
5	65657	1	Switch, phase - 200A, 4 pos. (Y,y,D,Z)	
6	18769B	1	Panel, generator box - rear	
7	60087	12	Screw, M6-1.00 x 16 sflg hex, G8.8	
8	20258	2	Seal, generator box	
9	60023	12	Insert, M6 threaded	
10	60533	4	Screw, 10-24 x 1.500 pan phil, G2	
11	60237	10	Washer, #10 flat .495/.036	
12	65740	1	Lug block, 8-pole	
13	18935	2	Lug, switch extension terminal	
14	19776B	1	Panel, generator box - left	
15	22287B	1	Panel, generator box - front	
16	60457	6	Nut, 10-24 nylock, G2	
17	60850	4	Screw, 10-24 x .750 pan phil, G2	
18	61045	4	Nut, 10-32 sflg	
--	62097	1	Wire group - 200A leads & jumpers 4 pos	
--	22492	1	Wire group - 200A AC cables	
--	24255	1	Assembly, generator box	Items 1 - 18
19	60115	4	Screw, M6-1.00 x 12 sflg hex, G8.8	

GENERATOR BOX ASSEMBLY - SS GEN, 3 POS - MMG120, MMG120CAN

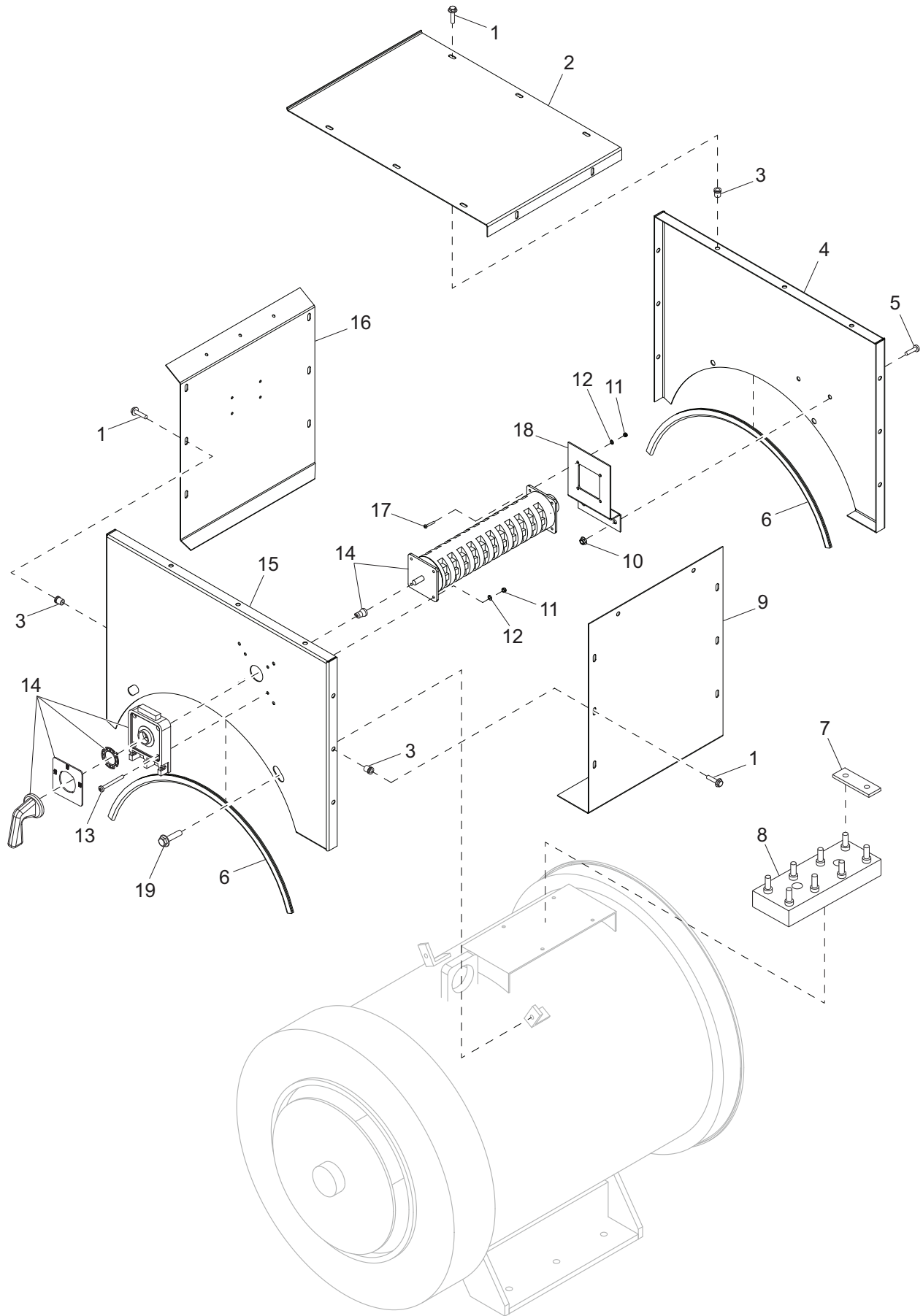


00612

GENERATOR BOX ASSEMBLY - SS GEN, 3 POS - MMG120, MMG120CAN

ITEM	PART NO.	QTY	DESCRIPTION	NOTES
1	60087	18	Screw, M6-1.00 x 16 sflg hex, G8.8	
2	22243B	1	Panel, generator box - top	
3	60023	18	Insert, M6 threaded	
4	22242B	1	Panel, generator box - rear	
5	60062	6	Screw, 10-32 x .750 pan phil, G2	
6	20258	2	Seal, generator box	
7	22240B	1	Panel, generator box - left	
8	61045	6	Nut, 10-32 sflg	
9	60457	8	Nut, 10-24 nylock, G2	
10	60237	12	Washer, #10 flat .495/.036	
11	60533	4	Screw, 10-24 x 1.500 pan phil, G2	
12	18102	1	Switch, phase - 200A, 3 pos. (Y,y,Z)	
13	22239B	1	Panel, generator box - front	
14	22241B	1	Panel, generator box - right	
15	65165	1	Block, terminal - 2-pole lug type	
16	60850	4	Screw, 10-24 x .750 pan phil, G2	
17	23706B	1	Bracket, phase switch	
--	61179	1	Wire group, 3 pos. phase switch jumpers	
--	24104	1	Assembly, generator box	Items 1 - 17
--	60618	1	Wire group, 3 pos. AC cables	
18	60115	4	Screw, M6-1.00 x 12 sflg hex, G8.8	

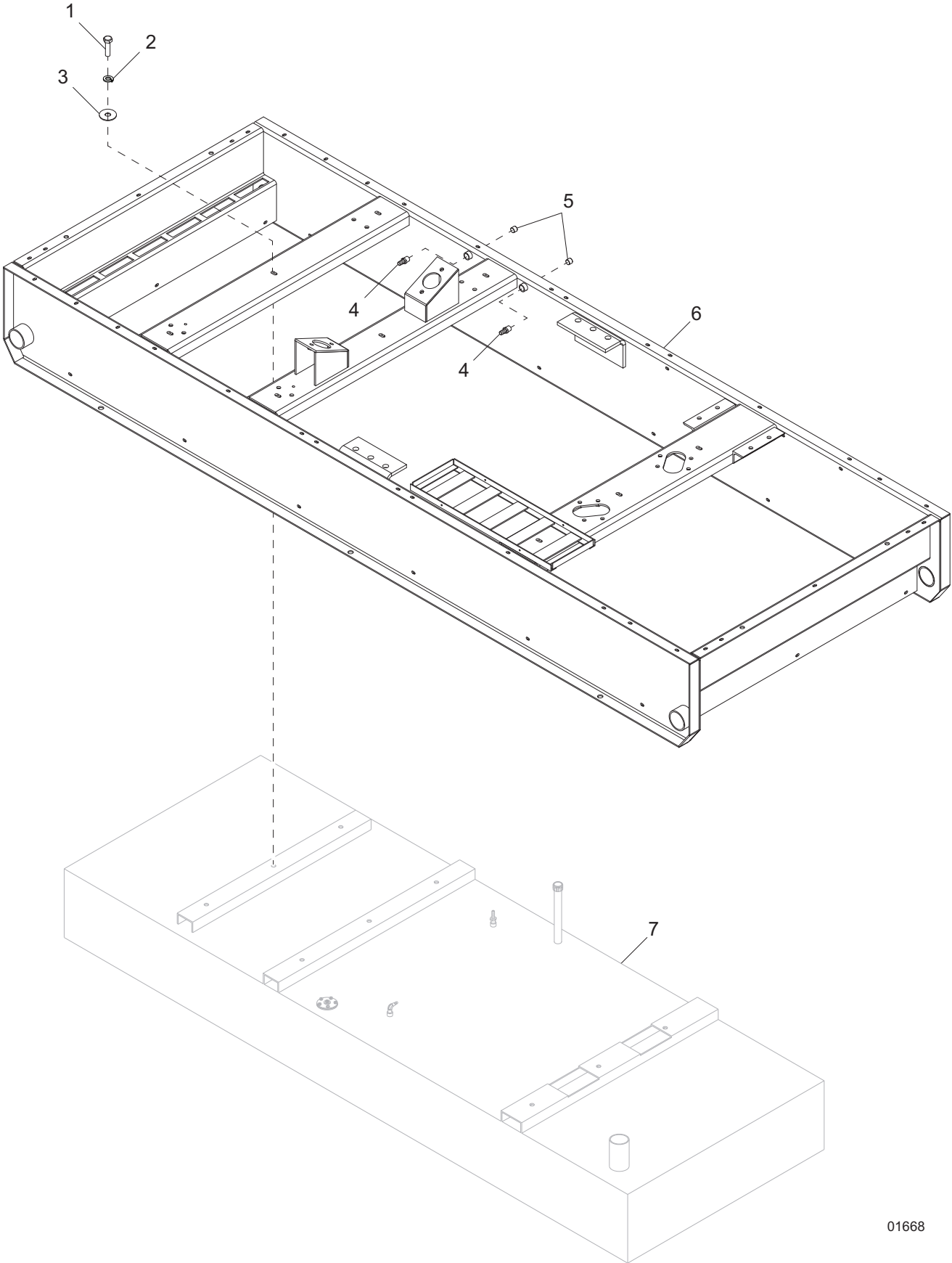
GENERATOR BOX ASSEMBLY - SS GEN, 4 POS - MMG120, MMG120CAN



GENERATOR BOX ASSEMBLY - SS GEN, 4 POS - MMG120, MMG120CAN

ITEM	PART NO.	QTY	DESCRIPTION	NOTES
1	60087	18	Screw, M6-1.00 x 16 sflg hex, G8.8	
2	22243B	1	Panel, generator box - top	
3	60023	18	Insert, M6 threaded	
4	22242B	1	Panel, generator box - rear	
5	60062	2	Screw, 10-32 x .750 pan phil, G2	
6	20258	2	Seal, generator box	
7	18935	2	Lug, switch extension terminal	
8	65740	1	Lug block, 8-pole	
9	22240B	1	Panel, generator box - left	
10	61045	2	Nut, 10-32 sflg	
11	60457	8	Nut, 10-24 nylock, G2	
12	60237	8	Washer, #10 flat .495/.036	
13	60533	4	Screw, 10-24 x 1.500 pan phil, G2	
14	65657	1	Switch, phase - 200A, 4 pos. (Y,y,D,Z)	
15	22239B	1	Panel, generator box - front	
16	22241B	1	Panel, generator box - right	
17	60850	4	Screw, 10-24 x .750 pan phil, G2	
18	28500B	1	Bracket, phase switch	
--	24256	1	Assembly, generator box	Items 1 - 18
--	22492	1	Wire group, 200A AC cables	
--	62097	1	Wire group, 200A leads & jumpers 4 pos	
19	60115	4	Screw, M6-1.00 x 12 sflg hex, G8.8	

SKID ASSEMBLY

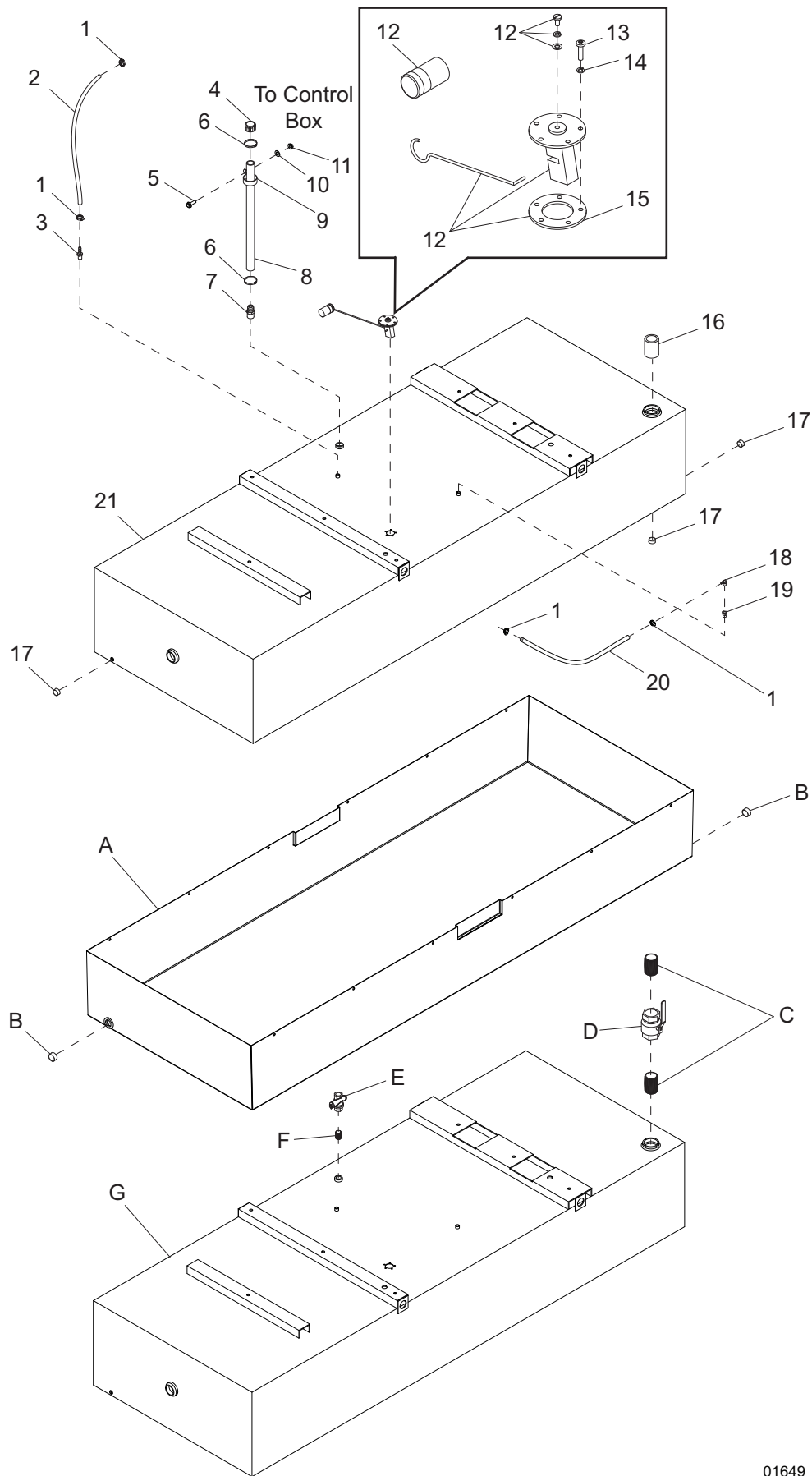


01668

SKID ASSEMBLY

ITEM	PART NO.	QTY	DESCRIPTION	NOTES
1	60323	7	Screw, .375-16 x 1.50 std hex, G8	
2	60206	7	Washer, .375 split lock	
3	60729	7	Washer, .375 fender 1.500/.090	
4	60502	2	Fitting, strt - .5000MNPT x .625 barb, brass	
5	18394	2	Fitting, plug - .500NPT x internal hex	
6	22106B	1	Weldment, skid	
7	<i>Page 106</i>	1	Tank, fuel - 350 gal	
--	26173	1	Assembly, skid	Items 1 - 6

FUEL TANK ASSEMBLY - MMG120



01649

FUEL TANK ASSEMBLY - MMG120

ITEM	PART NO.	QTY	DESCRIPTION	NOTES
1	63250	4	Clamp, hose - size 16, spring type	
2	50018	2.33 ft	Hose, fuel - .312 ID, 50psi, SAE 30R7	
--	50023	6 ft	Loom, wire - .625	
3	19180	1	Fitting, strt - .375MNPT x .312 barb	
4	26379	1	Vent, plastic fuel - 1.0 in	
5	61091	1	Screw, .312-18 x 1.0 sflg hex, G5	
6	63254	2	Clamp, hose - size 35, spring type	
7	21451	1	Fitting, strt - 1.0MNPT x 1.0 barb	
8	50019	4.16 ft	Hose, fuel - 1.0 ID, SAE 20R3	
9	60716	1	Clamp, tubing - 1.50 lt duty	
10	60119	1	Washer, .312 flat .875/.070	
11	60095	1	Nut, .312-18 sflg	
12	20571	1	Sender, fuel - 10-15 in. tank	
13	60062	5	Screw, 10-32 x .750 pan phil, G2	
14	60252	5	Washer, #10 split lock	
15	22323	1	Gasket, fuel sending unit	
16	19778	1	Fitting, nipple, pipe - 2.0NPT x 4.0	
17	18394	3	Fitting, plug - .500NPT x internal hex	
18	15693	1	Fitting, 90° - .250NPT x .312 barb, brass	
19	16270	1	Fitting, strt - .375MNPT x .250FNPT	
20	50018	3.58 ft	Hose, fuel - .312 ID, 50psi, SAE 30R7	
21	22104B	1	Tank, fuel - 350 gal	

OPTIONAL FEATURES

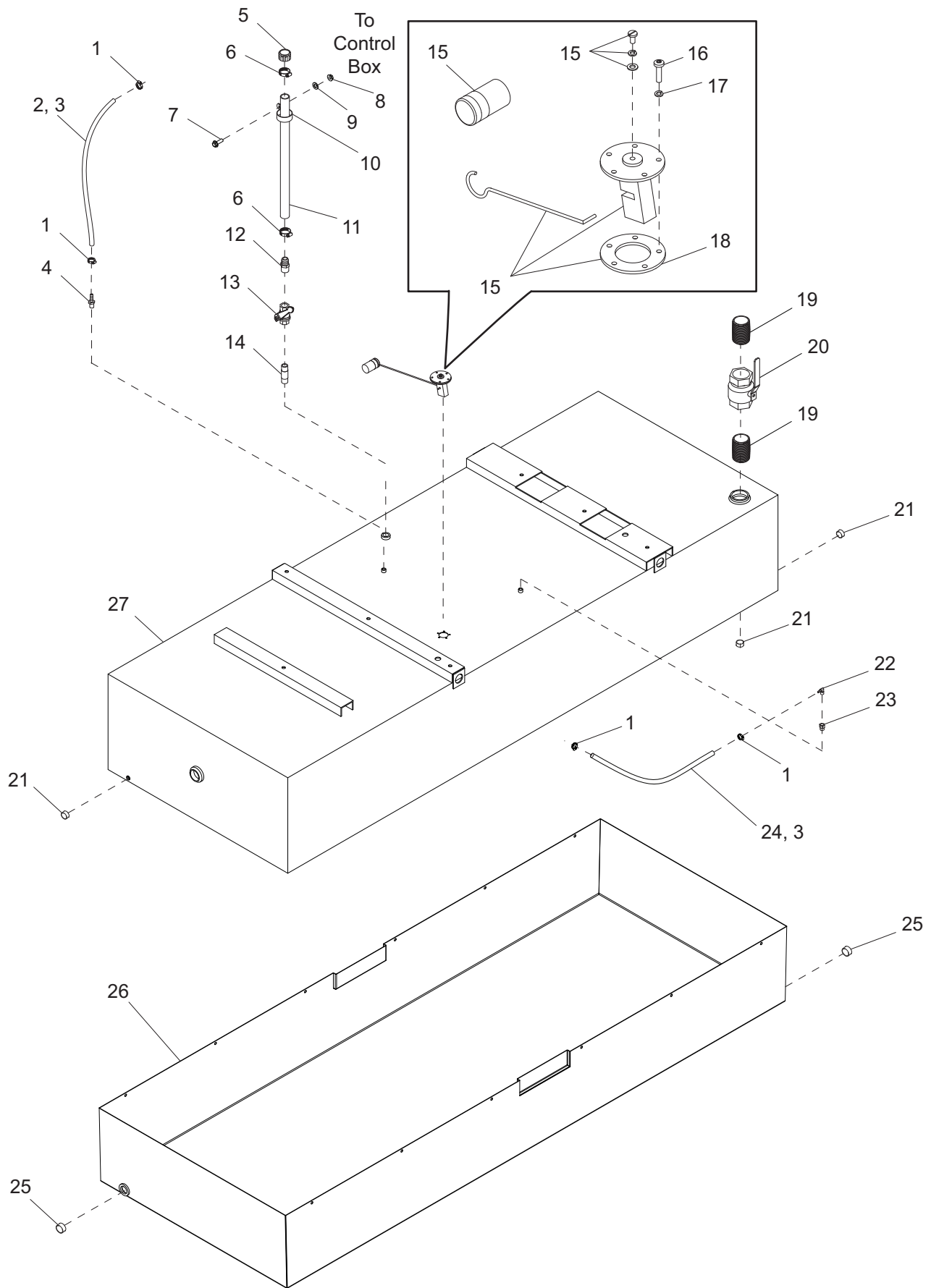
Containment:

A	23683B	1	Weldment, containment pan - 15.75 in
B	65636	2	Fitting, plug - 1.0NPT flush mount w/hex soc
--	60507	12	Screw, .312-18 x 1.0 std hex, SS
--	60452	12	Washer, .313 flat 1.125/1.0 bonded rubber, SS
--	60505	12	Nut, .312-18 x 1.0 std hex, SS

TC Rated Tank:

C	21127	1	Fitting, nipple, pipe - 2.0NPT x close
D	40229	1	Valve, ball - 2.0NPT, female
E	40230	1	Valve, ball - 1.0NPT, female
F	40276	1	Fitting, nipple, pipe - 1.0NPT x close
G	30052B	1	Tank, fuel - 350 gal, UN31A rated
--	30175	1	Decal, UN31A tank caution

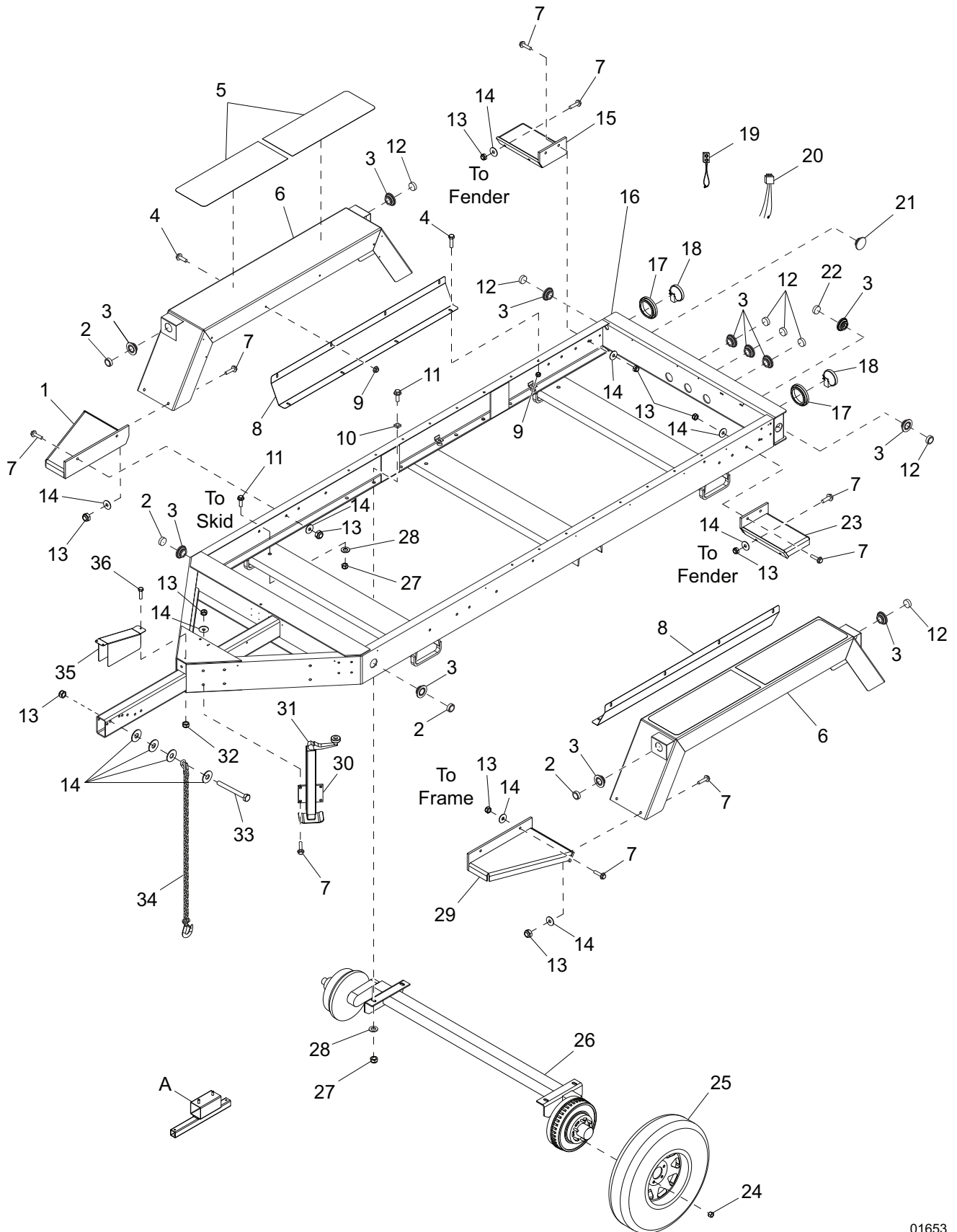
FUEL TANK ASSEMBLY - MDG120CAN, MDG120CAN6



FUEL TANK ASSEMBLY - MDG120CAN, MDG120CAN6

ITEM	PART NO.	QTY	DESCRIPTION	NOTES
1	63250	4	Clamp, hose - size 16, spring type	
2	50018	2.33 ft	Hose, fuel - .312 ID, 50psi, SAE 30R7	
3	50023	6 ft	Loom, wire - .625	
4	19180	1	Fitting, strt - .375MNPTx.312 barb	
5	26379	1	Vent, plastic fuel - 1.0 in	
6	63254	2	Clamp, hose - size 35, spring type	
7	61091	1	Screw, .312-18x1.0 sflg hex, G5	
8	60095	1	Nut, .312-18 sflg	
9	60119	1	Washer, .312 flat .875/.070	
10	60716	1	Clamp, tubing - 1.50 lt duty	
11	50019	4.16 ft	Hose, fuel - 1.0 ID, SAE 20R3	
12	21451	1	Fitting, strt - 1.0MNPTx1.0 barb	
13	40230	1	Valve, ball - 1.0NPT, female	
14	40276	1	Fitting, nipple, pipe - 1.0NPT x close	
15	20571	1	Sender, fuel - 10-15 in. tank	
16	60062	5	Screw, 10-32x.750 pan phil, G2	
17	60252	5	Washer, #10 split lock	
18	22323	1	Gasket, fuel sending unit	
19	19778	1	Fitting, nipple, pipe - 2.0NPTx 4.0	
20	40229	1	Valve, ball - 2.0NPT, female	
21	18394	3	Fitting, plug - .500NPT x internal hex	
22	15693	1	Fitting, 90° - .250NPTx.312 barb, brass	
23	16270	1	Fitting, strt - .375MNPTx.250FNPT	
24	50018	3.58 ft	Hose, fuel - .312 ID, 50psi, SAE 30R7	
25	65636	2	Fitting, plug - 1.0NPT flush mount w/hex soc	
26	23683B	1	Weldment, containment pan - 15.75 in	
27	30052B	1	Tank, fuel - 350 gal, UN31A rated	
--	30175	1	Decal, UN31A tank caution	
--	60507	12	Screw, .312-18 x 1 in. std hex, SS	
--	60452	12	Washer, .313 flat 1.125/1.0 bnnd rbb, SS	
--	60505	12	Nut, .312-18 U-clip - long type	

TRAILER ASSEMBLY

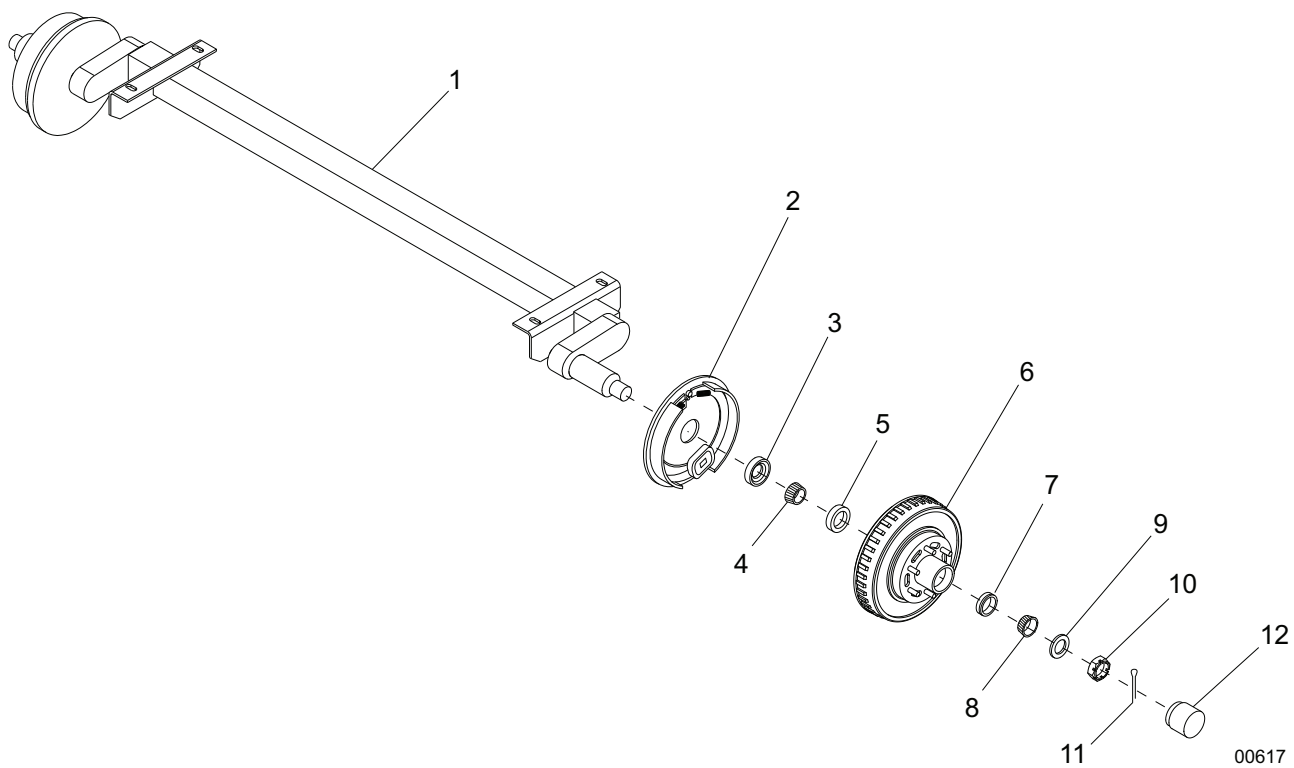


01653

TRAILER ASSEMBLY

ITEM	PART	QTY	DESCRIPTION	NOTES
1	22360B	1	Weldment, front step - right	
2	66702	4	Light, clearance, 2.0 in., no grmt - amber LED	
	66396	4	Light, clearance, 2.0 in., no grmt - amber	Option: incandescent light
3	66394	12	Grommet, rubber - 2.0	
4	61091	16	Screw, .312-18 x 1.0 sflg hex, G5	
5	22398	4	Pad, slip resistant - 10.0 x 28.0	
6	27657B	2	Weldment, fender	
7	61103	20	Screw, .500-13 x 1.75 sflg hex	
8	22351B	2	Shield, fender	
9	60095	16	Nut, .312-18 sflg	
10	60651	8	Washer, sqr. bevel structural - .625	
11	61078	14	Screw, .625-11 x 2.0 flg hex, G8	
12	66703	7	Light, clearance, 2.0 in., no grmt - red LED	
	66397	7	Light, clearance, 2.0 in., no grmt - red	Option: incandescent light
13	62221	22	Nut, .500-13 nylock, G5	
14	60416	28	Washer, .500 flat 1.375/.090	
15	22358B	1	Weldment, rear step - right	
16	27655B	1	Weldment, trailer frame	
17	10221	2	Grommet, rubber - 4.5	
18	66701	2	Light, rear tail/turn, round, no grmt - LED	
	10220	2	Light, rear tail/turn, round, no grmt	Option: incandescent light
19	10226	12	Plug, 2 wire	For clearance lights
20	10222	2	Plug, 3 wire	For rear tail/turn lights
21	62161	1	Plug, hole - 2.25 dia	
22	66704	1	Light, utility, 2.0 in., no grmt - clear LED	
	66395	1	Light, utility, 2.0 in., no grmt - clear	Option: incandescent light
23	22357B	1	Weldment, rear step - left	
24	60096	24	Nut, .500-20 lug, G5	
25	20374	4	Wheel, ST225/90D16 - 3100 lb	
26	Page 112	2	Assembly, axle	
27	60240	14	Nut, .625-11 nylock, G5	
28	60193	14	Washer, M16 flat	
29	22359B	1	Weldment, front step - left	
30	22317B	1	Weldment, jack	Includes item 31
31	22892	1	Jack, top wind - 5000 lb	Jack only
32	60144	1	Nut, .250-20 nylock, G5	
33	61099	2	Screw, .500-13 x 5.0 std hex, G8	
34	20159	2	Chain, trailer safety, hi test - .375 in	
35	22302B	1	Cover, brake guard	
36	60684	3	Screw, .250-20 x .875 std hex, SS	
--	60286	2	Washer, .250 split lock	
--	27451	1	Decal, reflective tape kit - white	
--	27452	27.7 ft	Tape, conspicuity - 2.0 in., red/white	
--	19163	4	Fitting, bushing - .500 OD x .375 ID	
--	22340	2	Fitting, bushing - 1.0 OD x .750 ID	
--	16143	--	Clamp, tubing - .500	For harnesses
--	60237	--	Washer, #10 flat	For harnesses
--	61155	--	Rivet, .188 dia. x .438 to .750 grip	For harnesses
--	27671	1	Harness, trailer	
--	65786	1	Harness, electric brake	Option: electric brake
A	24345B	1	Weldment, spare tire carrier	Option: spare tire

AXLE ASSEMBLY



00617

AXLE ASSEMBLY

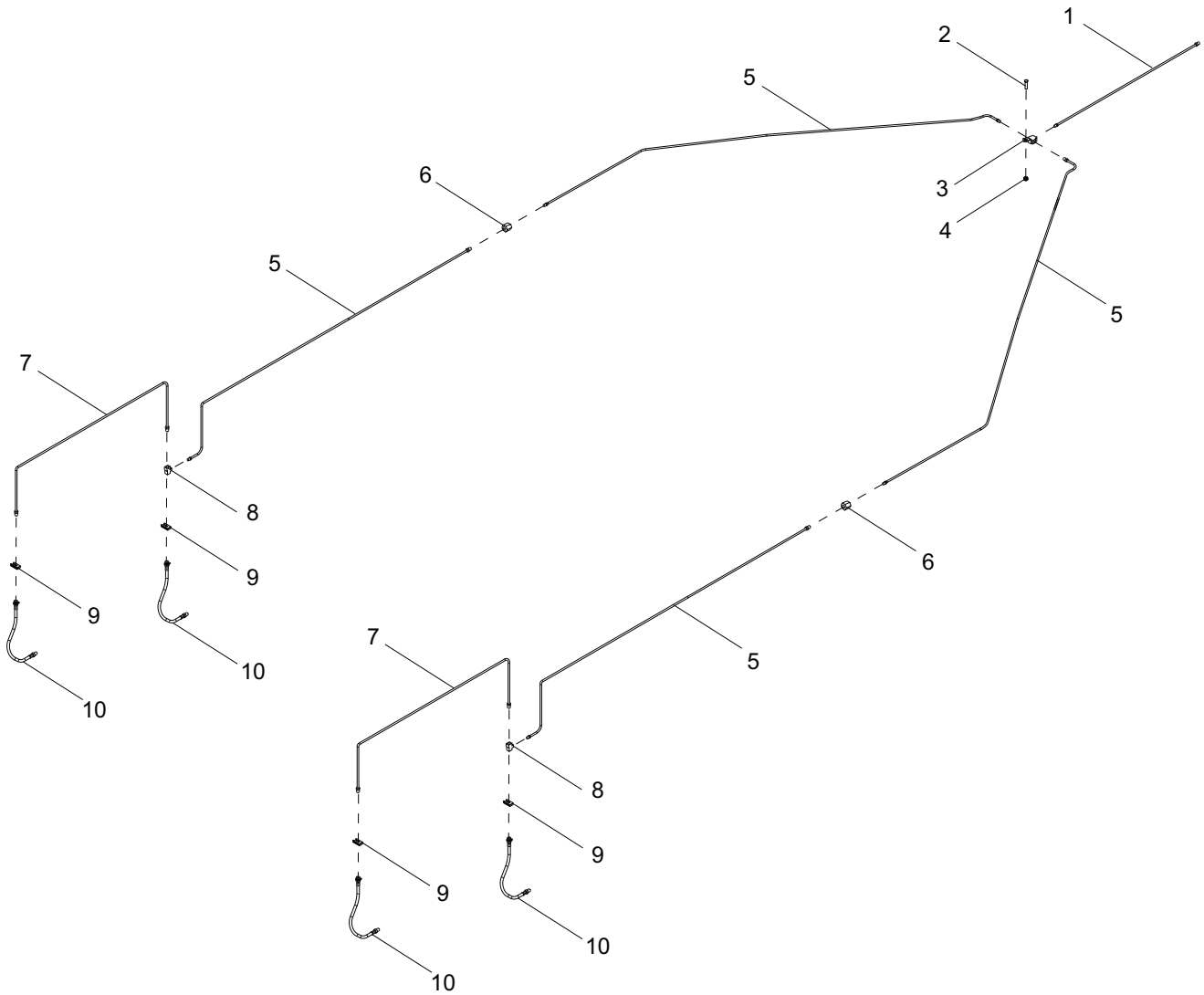
ITEM	PART NO.	QTY	DESCRIPTION	NOTES
1	22145	2	Axle, 6000 lb - 57 in. frame	
2	26571	2	Assembly, surge free-backing brake - left	
	26572	2	Assembly, surge free-backing brake - right	
3	26575	4	Inner grease seal - 2.125 in	
4	26576	4	Inner hub bearing	
5	26577	4	Inner bearing cup	
6	22387	4	Drum, brake - 12.0 in	
7	26584	4	Outer bearing cup	
8	26585	4	Outer hub bearing	
9	26581	4	Spindle washer	
10	12308	4	Spindle nut	
11	26583	4	Spindle nut - cotter pin	
12	26586	4	Cap, dust	

OPTIONAL FEATURES

Electric Brake:

--	22146	2	Axle, 6000 lb - 57 in. frame	
--	26573	2	Assembly, electric brake - left	
--	26574	2	Assembly, electric brake - right	

TRAILER BRAKE LINES

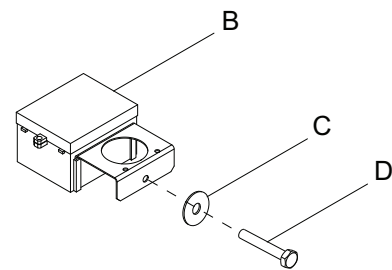
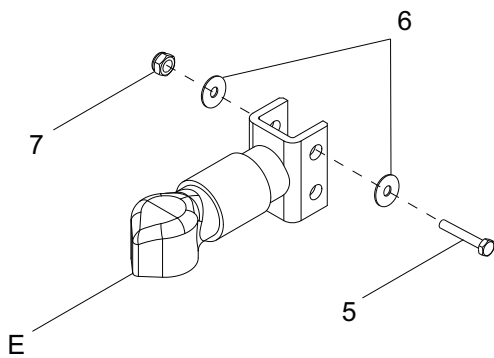
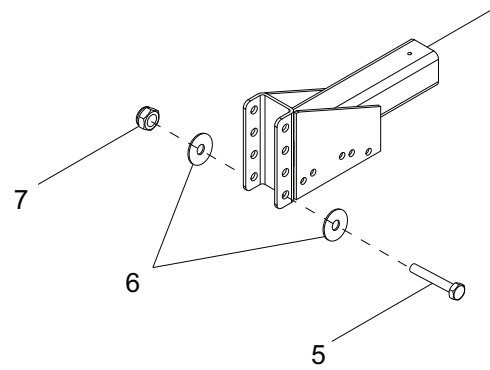
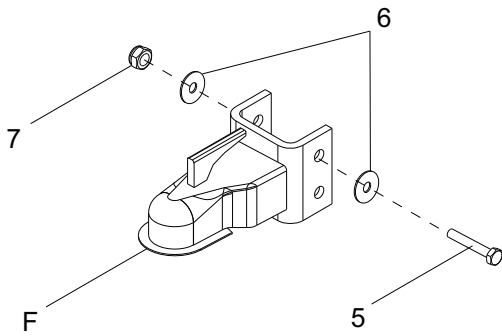
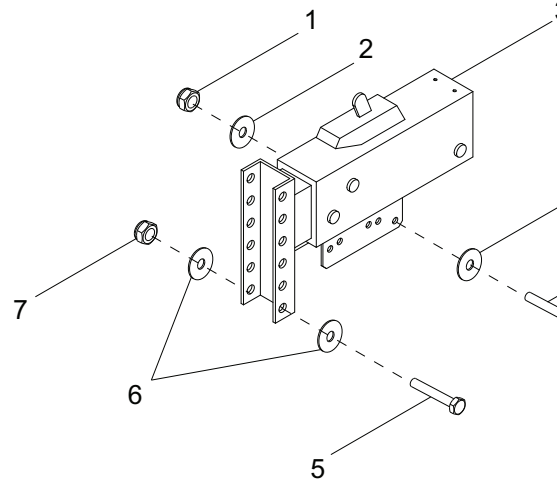
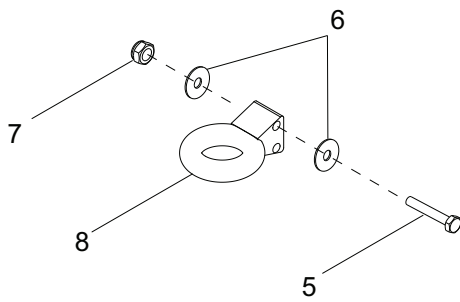


00618

TRAILER BRAKE LINES

ITEM	PART NO.	QTY	DESCRIPTION	NOTES
1	40495	1	Line, brake - .188 x 20.0	
2	60684	1	Screw, .250-20 x .875 std hex, SS	
3	19252	1	Fitting, strt - .188 brake line T w/bracket	All female
4	60144	1	Nut, .250-20 nylock, G5	
5	22338	4	Line, brake - .188 x 60.0	
6	22339	2	Fitting, strt - .188 brake line coupler	
7	40493	2	Line, brake - .188 x 40.0	
8	40498	2	Fitting, strt - .188 brake line T	Male/female/female
9	40499	4	Clip, brake hose	
10	40497	4	Hose, brake - .188 x 20.0	Male/female
--	60231	12	Rivet, .188 dia. x .375 to .500 grip	
--	60237	12	Washer, #10 flat .495/.036	
--	61010	12	Clamp, tubing - .375	

TRAILER HITCH OPTIONS



TRAILER HITCH OPTIONS

ITEM	PART NO.	QTY	DESCRIPTION	NOTES
1	62221	5	Nut, .500-13 nylock, G5	
2	60309	10	Washer, .500 flat 1.060/.090	
3	18373	1	Actuator, trailer	
4	60376	5	Screw, .500-13 x 4.50 std hex, G5	
5	60239	2	Screw, .625-11 x 5.0 std hex, G5	
6	60193	4	Washer, M16 flat	
7	60240	2	Nut, .625-11 nylock, G5	
8	19335B	1	Coupler, lunette ring - 3.0 ID, adjustable	
--	22302B	1	Cover, brake guard	
--	60684	1	Screw, .250-20 x .875 std hex, SS	
--	60144	1	Nut, .250-20 nylock, G5	

OPTIONAL FEATURES

Electric Brake:

A	19763B	1	Weldment, hitch electric - 4 position, adjustable
B	19417	1	Breakaway kit
C	60193	1	Washer, M16 flat
D	60239	1	Screw, .625-11 x 5.0 std hex, G5
--	65593	1	Adapter, trailer - 4 pin & 2 pin to round 6 pin
--	65583	1	Adapter, trailer - round 6 pin to round 7 spade

Couplers/Adapters:

F	19519	1	Coupler, 2.31 in. ball
E	41795	1	Coupler, 2.31 in. ball - Bulldog 12500lb
--	65463	1	Adapter, trailer - flat 4 to round 6 pin
--	65464	1	Adapter, trailer - flat 4 to round 7 pin
--	65645	1	Adapter, trailer - flat 4 to round 7 blade

RECOMMENDED SPARE PARTS LIST

ENGINE

Alternator	23346
Belt, fan	27297
Cap, radiator	19219
Dipstick/oil cap	26600
Element, air filter	26722
Element, OVR filter	24552
Fan, engine - MMG120	26156
Fan, engine - MMG120CAN, MMG120CAN6	30753
Filter, oil	26817
Filter, fuel - kit (primary & final)	32911
Filter, fuel - final	26236
Filter, fuel - primary	26597
Hose, radiator - lower	29710
Hose, radiator - upper	29709
Sensor, low coolant	65592
Starter	26818
Thermostat - engine	24061

ELECTRICAL

Breaker, 20A/240V, 1-pole	18091
Breaker, 450A, 3-pole	65352
Breaker, 50A/240V, 2-pole	18092
Controller, programmed - MMG120, MMG120CAN	66511
Controller, programmed - MMG120CAN6	67102
Kit, voltage adjust	26229
Receptacle, 120V/20A GFI	14130
Receptacle, 120/240V 50A twist-lock	18089
Regulator, voltage - SE 350	10519
Relay, 12V/70A NC/80A NO w/diode	66455
Switch, E-stop assy. - 2 NO/1 NC	22550
Switch, phase - 200A, 3 pos.	18102
Switch, toggle - 20A VAC	25077
Switch, trigger safety - NO & NC	12632

TRAILER

Chain, trailer safety, hi test	20159
Grommet, rubber - 2.0 in	66394
Grommet, rubber - 4.5 in	10221
Jack, top wind	22317B
Light, clearance amber - LED (no grommet)	66702
Light, clearance red - LED (no grommet)	66703
Tail lights - LED (no grommet)	66701

REV: B
PART NO: 29644
06.15.15